

# FeasyBeacon

## FSC-BP104DL Datasheet



## 1. Description

FeasyBeacon FSC-BP104DL is an ultra-long- range waterproof IP67 Bluetooth 5.2 low-power smart beacon, which supports iBeacon, Eddystone(such as URL,UID,TLM), AltBeacon to broadcast and provide Advertising Capability Up to 10 advertising frame slots.

With the iOS & Android FeasyBeacon SDK, the developers can take advantage of the flexibility of the SDK and focus on their own application, such as Broadcast, Proximity Marketing, Digital Signage, Indoor Location, Asset Tracking, Vehicle Tracking, etc. Meanwhile, FeasyBeacon SDK compiled app is available to download from both the iOS and Android platform (search 'FeasyBeacon' to download).



## 2. Features

- Bluetooth 5.2 Compliant
- Pre-programmed with Feasycom Standard Beacon Firmware
- Up to 10 slots of Advertising Frames
- Portable Small-sized Beacon with 2 years 11 months Battery Life (by Default Settings)
- Configurable by Free FeasyBeacon Mobile App and SDK

- Customizable Color, Logo, Hardware, Software
- Waterproof: IP67
- Up to 1000m in open area

### 3. Functional Specifications

Item	Description
Advertising Format	Eddystone (URL/ UID/TLM), iBeacon, AltBeacon
Configuring Method	FeasyBeacon SDK compiled app (e.g. FeasyBeacon app)
Advertising Interval	Default 1300 ms, range from 0 ms to 10000 ms
Security	Access password required, Default Pin Code 000000
Max Number of Broadcast	10 Slots configurable advertising frames
Default Broadcast Interval	1300 ms for iBeacon & Eddystone
System Compatibility	iOS 7.0+, Android 4.3+
Advertising Distance	Up to 1000m (open area)
Firmware Upgrading	OTA (upgrade firmware over the air)

### 4. Product Specifications

Item	Description
Chipset	EFR32BG21
Bluetooth Version	Bluetooth 5.2
TX power	up to 20dBm
Antenna	F-shape PCB antenna
Power Supply	2 * AAA (LR03), battery is not included in the package
Power On	Long press central area for power on / off
Battery Life	Up to 2 years 11 months (ADV Interval = 1300 ms; TX Power = 0dBm, Battery Capacity=1200mAh)
Material	ABS plastic
Color	White or customized
Size	86mm(L)*65.7mm(W)*17.2mm(H)
Net weight	27.9 g ( Without battery)
Protection	IP67
Operating temperature	-20°C to +54°C ( DURACELL)

Certification	/
* All battery information depends on the usage environment and many other factors, actual results may vary. The battery validity period is usually 2 years 11 months.	

## 5. Power consumption

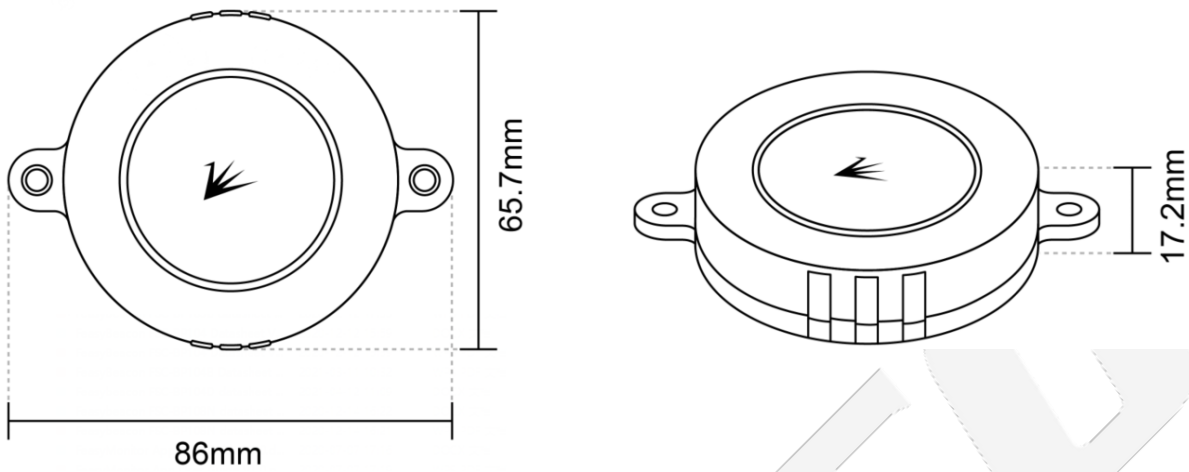
Power Tx Power (dBm) Advertising Interval (ms)	0	10	20
	<b>100</b>	424.14uA	525.90uA
<b>150</b>	295.62uA	367.32uA	689.40uA
<b>200</b>	214.07uA	276.63uA	515.19uA
<b>300</b>	147.26uA	182.41uA	354.67uA
<b>400</b>	116.59uA	142.77uA	273.13uA
<b>550</b>	95.98uA	118.99uA	219.00uA
<b>750</b>	72.30uA	82.52uA	151.01uA
<b>850</b>	60.59uA	73.87uA	138.70uA
<b>1000</b>	53.08uA	64.43uA	115.59uA
<b>1300</b>	47.57uA	56.79uA	89.99uA
<b>2000</b>	34.24uA	40.14uA	62.59uA
<b>3000</b>	29.82uA	32.26uA	38.99uA
<b>4000</b>	23.41uA	27.36uA	36.07uA
<b>5000</b>	20.42uA	22.14uA	33.97uA
<b>6000</b>	16.28uA	19.56uA	30.51uA
<b>7000</b>	15.04uA	17.34uA	22.42uA
<b>10000</b>	14.65uA	15.28uA	19.72uA

## 6. Configurable Parameters

Parameters in the below table are configurable by FeasyBeacon SDK compiled app (e.g. FeasyBeacon app), feel free to download FeasyBeacon app from Google Play App Store or iOS App Store.

Parameter		Description
Device Name		UTF-8 string, Default: FSC-BP104DL
Pin Code		Access password to FSC-BP104DL Default: 000000, Range: 000000 ~ 999999
Advertising Interval		Default: 1300 ms, Range: 100 ~ 10000 ms
Tx Power		Default: 0 dBm, Range: -20 dBm ~ +20 dBm
Eddystone-URL	URL	URL that needed to be advertising
	RSSI at 0m	A 1-byte value representing the average received signal strength at 0m from the advertiser (FSC-BP104DL), range: 0 ~ -127
Eddystone-UID	Namespace	10-byte Namespace
	Instance	6-byte Instance
	Reserved	Reserved for future use
	RSSI at 0m	A 1-byte value representing the average received signal strength at 0m from the advertiser (FSC-BP104DL), range: 0 ~ -127
iBeacon	UUID	16-byte UUID, e.g. FDA50693A4E24FB1AFCFC6EB07647825
	Major	2-byte Major, range: 0 ~ 65535
	Minor	2-byte Minor, range: 0 ~ 65535
	RSSI at 1m	A 1-byte value representing the average received signal strength at 1m from the advertiser (FSC-BP104DL), range: 0 ~ -127
AltBeacon	ID1	Beacon Identifier 1
	ID2	Beacon Identifier 2
	ID3	Beacon Identifier 3
	RSSI at 1m	A 1-byte value representing the average received signal strength at 1m from the advertiser (FSC-BP104DL), range: 0 ~ -127
	Manufacturer ID	The beacon device manufacturer's company identifier code
	Manufacturer Reserved	Reserved for use by the manufacturer to implement special features

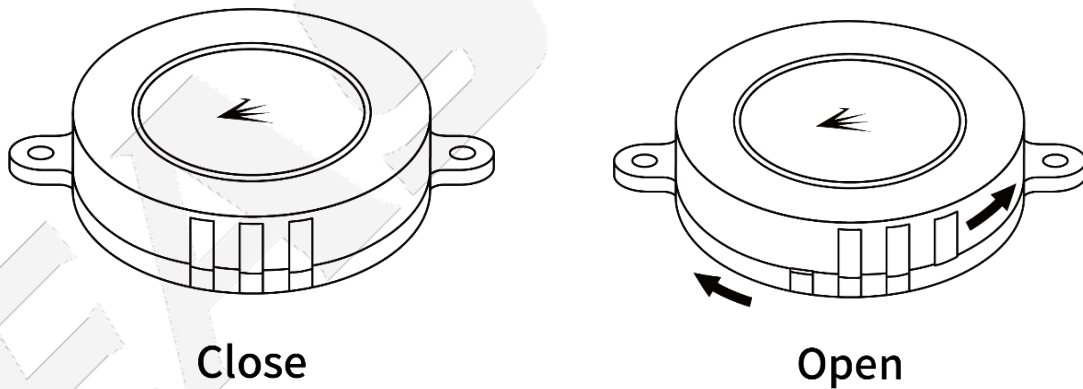
## 7. Dimensions



## 8. Power supply

Hold the handles on both side and rotate the housing the put in 2pcs AAA battery.

*Notice: Batteries are to be inserted with the correct polarity*



## 9. Declaration

The contents of this datasheet are subject to change without prior notice for further improvement. Feasycom team reserves all the rights for the final explanation.

iBeacon is a trademark of Apple Inc., Eddystone is a trademark of Google Inc.

Please contact Feasycom sales team or visit <https://www.feasycom.com/> to get more related information if needed.

## 10. Contact Information

Shenzhen Feasycom Co.,LTD

Address: Rm 508, Building A, Fenghuang Zhigu, No.50, Tiezai Road, Xixiang, Baoan Dist, Shenzhen, 518100, China.

Telephone: 86-755-23062695

Support: [support@feasycom.com](mailto:support@feasycom.com)

Sales Service: [sales@feasycom.com](mailto:sales@feasycom.com)

## Revision History

Version	Changes	Author
1.0	Initial Release	Devin