



FSC-BW236

**Single-Chip Low Power Dual Bands WLAN
and Bluetooth Low Energy Module Datasheet
(WLAN 802.11 a/b/g/n , 1T1R & BT5.0)**

Version 1.9

Copyright © 2013-2023 Feasycom Technology. All Rights Reserved.

Feasycom Technology reserves the right to make corrections, modifications, and other changes to its products, documentation and services at anytime. Customers should obtain the newest relevant information before placing orders. To minimize customer product risks, customers should provide adequate design and operating safeguards. Without written permission from Feasycom Technology, reproduction, transfer, distribution or storage of part or all of the contents in this document in any form is prohibited.

Revision History

Version	Data	Notes	
1.0	2019/09/07	Initial Version	Devin Wan
1.1	2019/09/29	Update image: Restricted Area	Devin Wan
1.2	2019/10/10	Update: Module photo, Module pin definition, Application circuit diagram	Devin Wan
1.3	2020/01/08	Update: Module pin No.6,8 definition; Update PCB version to V1.1	Devin Wan
1.4	2020/06/19	Update: Module pin No.15,17,18,19,20 definition; Update PCB version to V1.2	Devin Wan
1.5	2020/07/28	Selection of version	Devin Wan
1.6	2021/02/22	General specification update information	Fish
1.7	2021/03/09	General specification update information; Add certificate	Devin Wan
1.8	2022/05/28	Update: 4MB PSRAM is included in FSC-BW236B, Add certificate: KC,TELEC	Devin Wan
1.9	2023/07/05	1. Add product model FSC-BW236C, Operating temperature -40°C to 105°C 2. Updated the storage temperature -40°C to +105°C	Devin Wan

Contact Us

Shenzhen Feasycom Co.,Ltd

Email: sales@feasycom.com

Address: Rm 508, Building A, Fenghuang Zhigu, No.50, Tiezai Road, Xixiang, Baoan District, Shenzhen, 518102, China

Tel: 86-755-27924639, 86-755-23062695

Contents

1. INTRODUCTION	5
1.1 SELECTION OF VERSION	6
2. GENERAL SPECIFICATION	7
3. HARDWARE SPECIFICATION	8
3.1 BLOCK DIAGRAM AND PIN DIAGRAM	8
3.2 PIN DEFINITION DESCRIPTIONS	9
4. PHYSICAL INTERFACE	11
4.1 POWER SUPPLY.....	11
4.2 RESET	11
4.3 GENERAL PURPOSE DIGITAL IO.....	11
4.4 RF INTERFACE	11
4.5 SERIAL INTERFACES.....	12
4.5.1 UART.....	12
4.5.2 I2C Interface.....	13
4.6 PWM GENERATOR AND CAPTURE TIMER (PWM).....	13
4.7 SPI	14
4.9 USB.....	14
4.8 IR (INFRA RAY).....	14
5. ELECTRICAL CHARACTERISTICS	14
5.1 ABSOLUTE MAXIMUM RATINGS	14
5.2 RECOMMENDED OPERATING CONDITIONS	15
5.3 INPUT/OUTPUT TERMINAL CHARACTERISTICS.....	15
5.4 POWER STATE AND POWER SEQUENCE	16
5.5 POWER ON OR RESUMING FROM DEEP SLEEP SEQUENCE	16
5.6 SHUTDOWN SEQUENCE	17
5.7 I2C DYNAMIC CHARACTERISTICS	17
5.8 POWER CONSUMPTIONS.....	18
6. MSL & ESD	18
7. RECOMMENDED TEMPERATURE REFLOW PROFILE	19
8. MECHANICAL DETAILS	20
8.1 MECHANICAL DETAILS.....	20
9. HARDWARE INTEGRATION SUGGESTIONS	21
9.1 SOLDERING RECOMMENDATIONS	21
9.2 LAYOUT GUIDELINES(INTERNAL ANTENNA).....	21
9.3 LAYOUT GUIDELINES(EXTERNAL ANTENNA).....	22
9.3.1 Antenna Connection and Grounding Plane Design	22
10. PRODUCT PACKAGING INFORMATION	23



10.1	DEFAULT PACKING	23
10.2	PACKING BOX(OPTIONAL)	24
11.	CERTIFICATION	25
11.1	FCC.....	25
11.2	IC.....	26
11.3	CE.....	27
11.4	KC.....	28
11.5	TELEC.....	29
11.6	SRRC	30
12.	APPLICATION SCHEMATIC.....	32

FEASYCOM
Shenzhen Feasycom Co., LTD

1. INTRODUCTION

Overview

FSC-BW236 is a highly integrated single-chip low power dual bands (2.4GHz and 5GHz) Wireless LAN (WLAN) and Bluetooth Low Energy (v5.0) communication controller. It consists of a high-performance MCU (ARM v8m, Cortex-M4F instruction compatible) named KM4, a low power MCU (v8m, Cortex-M0 instruction compatible) named KM0, WLAN (802.11 a/b/g/n) MAC, an 1T1R capable WLAN baseband, RF, Bluetooth and peripherals.

FSC-BW236 is an appropriate product for designers who want to add wireless capability to their products. Support for external antennas and increase wireless coverage.

Features

- COMS MAC,Baseband PHY,and RF in a single-Chip for 802.11 a/b/g/n compatible WLAN
- Support BLE 5.0
- UART programming and data interface (baudrate can up to 6000000bps)
- I2C/AIO/PIO/PWM control interfaces
- Postage stamp sized form factor
- WiFi Maximum data rate 54Mbps in 802.11g , 150Mbps in 802.11n, 54Mbps in 802.11a
- WiFi : Light Weight TCP/IP protocol
- Support External Antenna-Postage stamp or ipex
- RoHS compliant
- Support external flash chip with larger capacity (built-in Flash needs to be removed)
- **4MB PSRAM is included in FSC-BW236B**

Application

- Wireless POS
- Measurement and monitoring systems
- Industrial sensors and controls
- Asset Tracking
- Wireless printer

Module picture as below showing

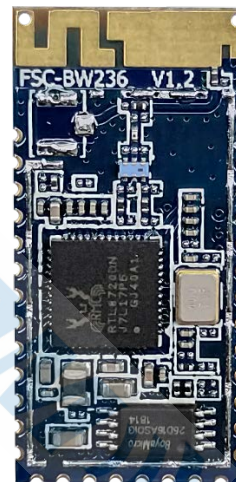
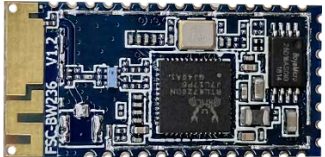
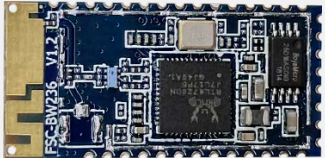
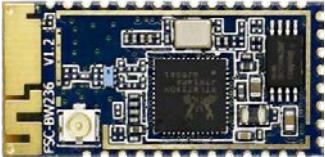
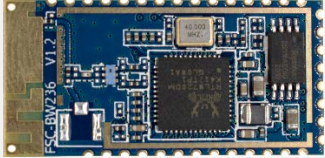
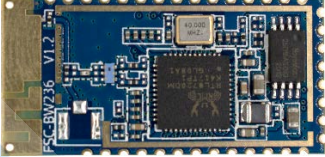

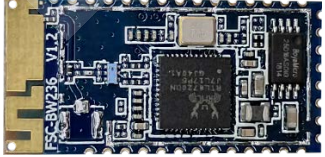
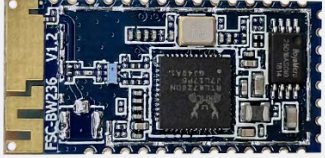
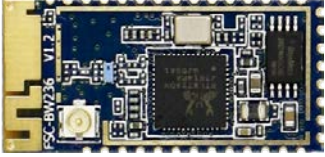


Figure 1: FSC-BW236 Picture

1.1 Selection of version

Order Number	Descriptions	Module picture as below showing
FSC-BW236_1 (Default)	Built-in antenna	
FSC-BW236_2 (Optional)	External antenna (stamp hole, PIN No.36)	
FSC-BW236_3 (Optional)	External antenna (IPEX connector)	
FSC-BW236B_1 (Default)	Built-in antenna	
FSC-BW236B_2 (Optional)	External antenna (stamp hole, PIN No.36)	
FSC-BW236B_3 (Optional)	External antenna (IPEX connector)	
FSC-BW236C_1 (Default)	Built-in antenna Operating Temperature: -40°C to +105°C Storage Temperature: -40°C to +105°C	
FSC-BW236C_2 (Optional)	External antenna (stamp hole, PIN No.36) Operating Temperature: -40°C to +105°C Storage Temperature: -40°C to +105°C	
FSC-BW236C_3 (Optional)	External antenna (IPEX connector) Operating Temperature: -40°C to +105°C Storage Temperature: -40°C to +105°C	

Note: 4MB PSRAM is included in FSC-BW236B

2. General Specification

Table 1: General Specifications

Categories	Features	Implementation			
	Bluetooth	Version : V5.0			
		Frequency : 2.402 - 2.480 GHz Transmit Power: +8 dBm (Maximum)			
Wireless Specification	WiFi	802.11 a/b/g/n 1x1, 2.4GHz & 5GHz Frequency : 2.400 ~ 2.484GHz; 5.18 ~ 5.825GHz. Transmit Power(2.4GHZ): 17.5 dBm(11 b),15.5 dBm(11 g), 13.5 dBm(11 n) Transmit Power(5GHZ): 16dBm(11 a) Support 20MHz/40MHz up to MCS7 Low power architecture Support low power Tx/Rx for short range application Low power beacon listen mode Low power Rx mode Very low power suspends mode (DLPS) AES/DES/SHA hardware engine			
		TX, RX (Auto Flow Control) General Purpose I/O			
		UART Interface	Default 115200,N,8,1 Baudrate support from 110 to 6000000 7, 8 data bit character		
		GPIO	16 (maximum – configurable) lines O/P drive strength (4 mA) Pull-up resistor (33 KΩ) control Read pin-level		
			I2C Interface	1 (configurable from GPIO total). Up to 400 kbps(standard) /3.33Mbps(high speed)	
			SPI Interface	Support Master/Slave mode	
		Host Interface and Peripherals	PWM	16-bit resolution 8-bit prescaler and clock divider Supports PWM interrupts supports input capture function	
				Classic Bluetooth	No Supports
				Bluetooth Low Energy	Support both central and peripheral modes
				WiFi	WiFi-AP(access point), WiFi-Station
Maximum Connections	Classic Bluetooth	No Supports			
	Bluetooth Low Energy	1 Clients(MAX)			
FW upgrade		Via UART(No Supports) J-link			
	Supply Voltage	Supply	3.0-3.6V		

Power Consumption	Deep sleep	The module enters the deep sleep state and will stop all functions (pull up the 4th pin of the module to wake up): ~10uA
	Bluetooth	Max Peak Current(TX Power @ +8dBm TX): 84mA
		Standby Doze (Wait event) - 19mA
	WiFi	3.3V Rating Current(with internal regulator and integrated COMS PA): 450mA (MAX)
		IO Rating Current(including VDD_IO): 200mA
Physical	Dimensions	13mm X 26.9mm X 2.2mm; Pad Pitch 1.5mm
Environmental	Operating	-20°C to +85°C (-40°C to +105°C FSC-BW236C only)
	Storage	-40°C to +105°C
Miscellaneous	Lead Free	Lead-free and RoHS compliant
	Warranty	One Year
Humidity		10% ~ 90% non-condensing
MSL grade:		MSL 3
ESD grade:		Human Body Model: Class-2
		Machine Model: Class-B

3. HARDWARE SPECIFICATION

3.1 Block Diagram and PIN Diagram

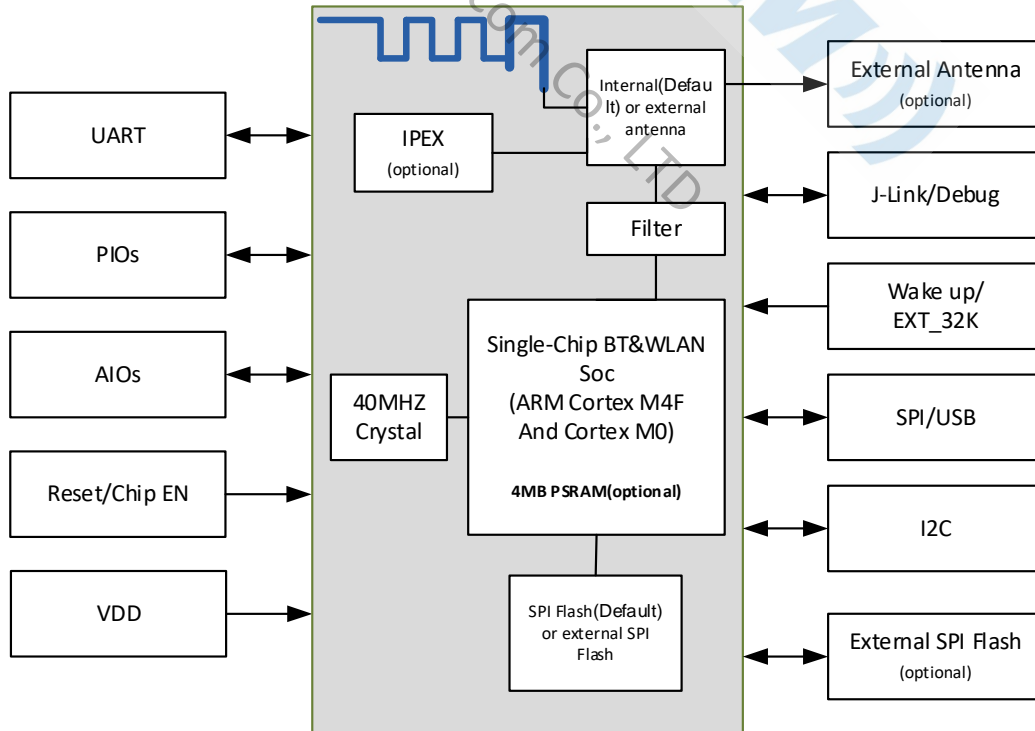


Figure 2: Block Diagram

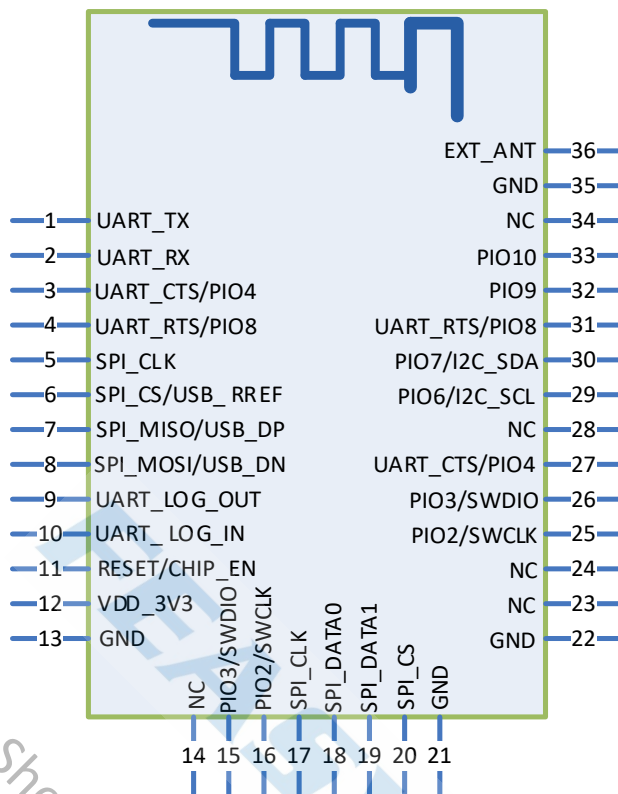


Figure 3: FSC-BW236 PIN Diagram(Top View)

3.2 PIN Definition Descriptions

Table 2: Pin definition

Pin	Pin Name	Type	Pin Descriptions	Notes
1	UART_TX	O	UART Data output	Note 1
2	UART_RX	I	UART Data input	Note 1
3	UART_CTS/PIO4	I/O	UART Clear to Send (active low) Alternative Function 1: Programmable input/output line	Note 1
4	UART_RTS/PIO8	I/O	UART Request to Send (active low) Alternative Function 1: Programmable input/output line	Note 1
5	SPI_CLK		SPI_CLK Alternative Function 1: Programmable input/output line	
6	SPI_CS/USB_RREF		SPI_CS Alternative Function 1: Programmable input/output line Alternative Function 2: USB_PREF (External reference resistor for USB analog, pull down to ground through the resistor -- 12KΩ 1%)	
7	SPI_MISO/USB_DP		SPI_MISO Alternative Function 1: Programmable input/output line Alternative Function 2: USB_DP	
8	SPI_MOSI/USB_DN		SPI_MOSI Alternative Function 1: Programmable input/output line Alternative Function 2: USB_DN	
9	UART_LOG_OUT	O	Debug Interface (Data OUT)	

10	UART_LOG_IN	I	Debug Interface (Data IN)	
11	RESET/CHIP_EN	I	External reset input: Active LOW, Set this pin low reset the module. (With Internal pull-up 100K resistor.)	
12	VDD_3V3	Vdd	Power supply voltage 3.3V	
13	GND	Vss	Power Ground	
14	NC		NC	
15	PIO3/SWDIO	I/O	Debugging through the data line(Default) Alternative Function 1: Programmable input/output line	
16	PIO2/SWCLK	I/O	Debugging through the clk line(Default) Alternative Function: Programmable input/output line	
17	SPI_CLK	I/O	SPI_CLK (Communication interface with external SPI Flash chip)	
18	SPI_DATA0	I/O	SPI_DATA0 (Communication interface with external SPI Flash chip)	
19	SPI_DATA1	I/O	SPI_DATA1 (Communication interface with external SPI Flash chip)	
20	SPI_CS	I/O	SPI_CS (Communication interface with external SPI Flash chip)	
21	GND	Vss	Power Ground	
22	GND	Vss	Power Ground	
23	NC		NC	
24	NC		NC	
25	PIO2/SWCLK	I/O	Debugging through the clk line(Default) Alternative Function: Programmable input/output line	
26	PIO3/SWDIO	I/O	Debugging through the data line(Default) Alternative Function 1: Programmable input/output line	
27	UART_CTS/PIO4	I/O	UART Clear to Send (active low) Alternative Function 1: Programmable input/output line	Note 1
28	NC		NC	
29	PIO6/I2C_SCL	I/O	Programmable input/output line	Note 2
30	PIO7/I2C_SDA	I/O	Programmable input/output line	Note2
31	UART_RTS/PIO8	I/O	UART Request to Send (active low) Alternative Function: Programmable input/output line	Note 1
32	PIO9	I/O	BT LED(Default) /Status or Programmable input/output line	Note 3
33	PIO10	I/O	WIFI LED (Default) / Status or Programmable input/output line	Note4
34	NC		NC	
35	GND	Vss	RF Ground	
36	EXT_ANT	O	RF signal output	Note5

Module Pin Notes:

Note 1 For customized module, this pin can be work as I/O Interface.

Note 2 I2C Serial Clock and Data.
It is essential to remember that pull-up resistors on both SCL and SDA lines are not provided in the module and MUST be provided external to the module.

Note 3 BT LED(Default) /Status – LED Power On: Light Slow Shinning ; Connected: Steady Lighting.
Status Disconnected: Low Level; Connected: High Level

Note 4 WIFI LED(Default) /Status -- LED Power On: Light Slow Shinning ; Connected: Steady Lighting.
Status Disconnected: Low Level; Connected: High Level.

Note 5 By default, this PIN is an empty feet. This PIN can connect to an external antenna to improve the

Bluetooth/WIFI signal coverage.

If you need to use an external antenna, by modifying the module on the OR resistance to block out the on-board antenna; Or contact Feasycom for modification.

4. PHYSICAL INTERFACE

4.1 Power Supply

The transient response of the regulator is important. If the power rails of the module are supplied from an external voltage source, the transient response of any regulator used should be 20 μ s or less. It is essential that the power rail recovers quickly.

4.2 Reset

The module may be reset from several sources: Power-on Reset (POR), Low level on the nRESET Pin (nRST), Watchdog time-out reset (WDT), Low voltage reset (LVR) or Software Reset(SYSRESETREQ, CPU Reset, CHIPRST).

The RESET pin is an active low reset and is internally filtered using the internal low frequency clock oscillator. A reset will be performed between 1.5 and 4.0ms following RESET being active. It is recommended that RESET be applied for a period greater than 5ms.

At reset the digital I/O pins are set to inputs for bi-directional pins and outputs are tri-state. The PIOs have weak pull-ups.

4.3 General Purpose Digital IO

- GPO and GPI function
- Support interrupt detection with configurable polarity per GPIO
- Internal weak pull up and pull low per GPIO
- Multiplexed with other specific digital functions

4.4 RF Interface

For This Module, the default mode for antenna is internal , it also has the interface for external antenna, or use an IPEX interface to connect an external antenna. If you need to use an external antenna, by modifying the module on the OR resistance to block out the on-board antenna. Or indicate your request when placing an order.

The user can connect a 50 ohm antenna directly to the RF port.

Bluetooth basic parameter:

- 2402–2480 MHz Bluetooth 5.0 Mode (BLE); 1 Mbps over the air data rate.
- TX output power of +8dBm.
- Receiver to achieve maximum sensitivity -85dBm @ 1 Mbps BLE.

WiFi basic parameter:

- 2412–2484 MHz IEEE 802.11 b/g/n compatible WLAN
- Transmit Power(2.4GHZ): 17.5dBm(11 b), 15.5dBm(11 g), 13.5dBm(11 n).
- Transmit Power(5GHZ): 16dBm(11 a)
- Maximum data rate 54Mbps in 802.11g and 150Mbps in 802.11n
- Receiver to achieve maximum sensitivity(2.4GHZ): -80dBm(11 b), -75dBm(11 g), -70dBm(11 n).
- Receiver to achieve maximum sensitivity(5GHZ): -72dBm(11 a).

4.5 Serial Interfaces

4.5.1 UART

- Support 1 HS-UART
- UART(RS232 Standard) Serial Data Format
- Transmit and Receive data FIFO
- Programmable asynchronous clock support
- Auto flow control
- Programmable Receive data FIFO trigger level
- UART signal level ranges 3.3V

Table 3: Possible UART Settings

Parameter	Possible Values	
Baudrate	Minimum	110 baud ($\leq 2\%$ Error)
	Standard	115200bps($\leq 1\%$ Error)
	Maximum	6000000bps($\leq 1\%$ Error)
Flow control	RTS/CTS	
Parity	None, Odd or Even	
Number of stop bits	1 / 2	
Bits per channel	7/8	

When connecting the module to a host, please make sure to follow .

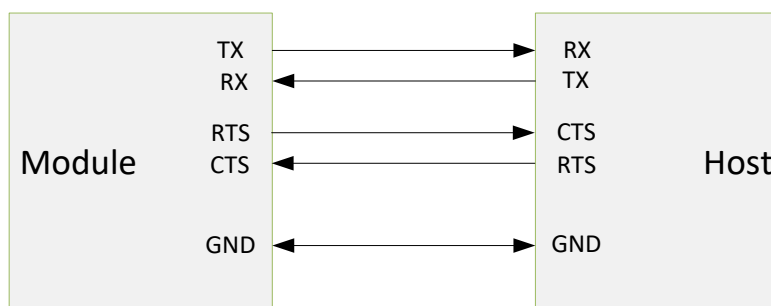


Figure 4: UART Connection

4.5.2 I2C Interface

I2C is a two-wire, bi-directional serial bus that provides a simple and efficient method of data exchange between devices. The I2C standard is a true multi-master bus including collision detection and arbitration that prevents data corruption if two or more masters attempt to control the bus simultaneously.

Data is transferred between a Master and a Slave synchronously to SCL on the SDA line on a byte-by-byte basis. Each data byte is 8-bit long. There is one SCL clock pulse for each data bit with the MSB being transmitted first. An acknowledge bit follows each transferred byte. Each bit is sampled during the high period of SCL; therefore, the SDA line may be changed only during the low period of SCL and must be held stable during the high period of SCL. A transition on the SDA line while SCL is high is interpreted as a command (START or STOP). Please refer to the following figure for more details about I2C Bus Timing.

- Three speeds: Standard mode(0 to 100Kb/S); Fast mode(<400 Kb/S); High-speed mode(<3.4Mb/S)
- Master or slave I2C operation
- 7- or 10-bit addressing
- Transmit and receive buffers

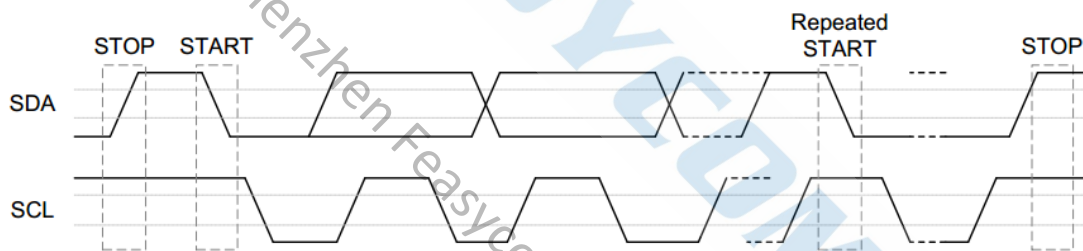


Figure 5: I2C Bus Timing

The device on-chip I2C logic provides the serial interface that meets the I2C bus standard mode specification. The I2C port handles byte transfers autonomously. The I2C H/W interfaces to the I2C bus via two pins: SDA and SCL. Pull up resistor is needed for I2C operation as these are open drain pins. When the I/O pins are used as I2C port, user must set the pins function to I2C in advance.

4.6 PWM Generator and Capture Timer (PWM)

FSC-BW236 has 8 PWM generator. The PWM generator has a 16-bit PWM counter and comparator, and the PWM generator supports two standard PWM output modes: Independent output mode and Complementary output mode with 8-bit Dead-time generator. Each mode can be used as a timer and issues interrupt independently. In addition, It also has an 8-bit prescaler and clock divider with 5 divided frequencies (1, 1/2, 1/4, 1/8, 1/16) to support wide range clock frequency of PWM counter. For PWM output control unit, it supports polarity output function.

The PWM generator also supports input capture function. It supports latch PWM counter value to corresponding register when input channel has a rising transition, falling transition or both transition is happened.

4.7 SPI

- Support Motorola SPI Serial interface operation
- Support master or slave operation mode
- Provide two SPI ports: configured as master with Max. baud rate: 25MHz.
- Support DMA interface for DMA transfer
- Independent masking of interrupts
- FIFO depth – The transmit and receive FIFO buffers 64 words deep. The FIFO width is fixed at 16 bits.
- Hardware/software slave-select – Dedicated hardware slave-select lines can be used or software control can be used to target the serial-slave device
- Programmable features:
 - Clock bit-rate – Dynamic control of the serial bit rate of the data transfer; used in only serial- master mode of operation.
 - Data item size (4 to 16 bits) – Item size of each data transfer under the control of the programmer.
 - Configurable clock polarity and phase
 - Programmable delay on the sample time of the received serial data bit (rxd), when configured in Master Mode; enables programmable control of routing delays resulting in higher serial data-bit rates.

4.9 USB

- Support USB 2.0
- Support HS/FS/LS mode
- Internal DMA support, DMA works based on register settings
- 1.5KByte bulk-in buffer and 1.5KByte bulk-out buffer

4.8 IR (Infra Ray)

- Support carrier frequency from 25KHz to 500KHz
- Support Duty from 1/2 to 1/5
- Support IR diode input
- Support IR receiver module input
- 32*4 bytes Tx FIFO
- 32*4 bytes Rx FIFO
- Tx carrier frequency can be configured
- Tx carrier duty cycle can be configured

5. ELECTRICAL CHARACTERISTICS

5.1 Absolute Maximum Ratings

Absolute maximum ratings for supply voltage and voltages on digital and analogue pins of the module are listed below. Exceeding these values causes permanent damage.

The average PIO pin output current is defined as the average current value flowing through any one of the corresponding pins for a 100mS period. The total average PIO pin output current is defined as the average current value flowing through all of the corresponding pins for a 100mS period. The maximum output current is defined as the value of the peak current flowing through any one of the corresponding pins.

Table 4: Absolute Maximum Rating

Parameter	Min	Max	Unit
V _{DD} -V _{SS} - DC Power Supply	-0.3	+3.6	V
V _{IN} - Input Voltage	V _{SS} -0.3	V _{DD} +0.3	V
T _A - Operating Temperature	-20	+85	°C
T _A - Operating Temperature(FSC-BW236C only)	-40	+105	°C
T _{ST} - Storage Temperature	-40	+105	°C
T _{JT} - Junction Temperature	-40	+125	°C
I _{IO} - Maximum Current sunk by a I/O pin		4	mA
I _{IO} - Maximum Current sourced by a I/O pin		4	mA

5.2 Recommended Operating Conditions

Table 5: Recommended Operating Conditions

Parameter	Min	Type	Max	Unit
V _{DD} -V _{SS} - DC Power Supply	3	3.3	3.6	V
V _{IN} - Input Voltage	V _{SS} -0.3	3.3	V _{DD} +0.3	V
T _A - Operating Temperature	-20	25	+85	°C
T _A - Operating Temperature(FSC-BW236C only)	-40	25	+105	°C
T _{ST} - Storage Temperature	-40	25	+105	°C
T _{JT} - Junction Temperature	-40	-	+125	°C
I _{IO} - Maximum Current sunk by a I/O pin	2	3	4	mA
I _{IO} - Maximum Current sourced by a I/O pin	2	3	4	mA
I _{DD} - 3.3V Rating Current (With internal regulator and integrated COMS PA) (Wifi only)	-	-	450	mA

5.3 Input/output Terminal Characteristics

Table 6: DC Characteristics (V_{DD} - V_{SS} = 3 ~ 3.6 V, T_A = 25°C)

Parameter	Min	Type	Max	Unit
V _{DD} - Operation Voltage	3	3.3	3.6	V
V _{SS} - Power Ground	-0.3	-	-	V
V _{DD12} - Core Logic and I/O Buffer Pre-Driver Voltage	1.08	1.2	1.32	V
V _{OH} - High Level Output Voltage	2.4	-	-	V
V _{OL} - Low Level Output Voltage	-	-	0.4	V
V _{IH} - Input High Voltage	2.0	-	-	V
V _{IL} - Input Low Voltage	-	-	0.8	V
V _{TH} - Switch Threshold(Schmitt-falling-trigger)	1.36	1.45	1.56	V
V _{TH} - Switch Threshold(Schmitt-rising-trigger)	1.78	1.87	1.97	V
R _{PU} - Input Pull-up Resist(V _{IN} =V _{SS})	32	53	120	KΩ
R _{PD} - Input Pull-down Resist(V _{IN} =V _{DD})	37	49	120	KΩ
I _L - Input Leakage Current	-10	-	10	uA

I_{OZ} - Tri-State Output Leakage Current	-10	-	10	uA
I_{OL} - Low level sink current($V_{OL}=0.4V$)	4	-	-	mA
I_{OH} - High level source current ($V_{OH}=2.4V$)	4	-	-	mA

5.4 Power State and Power Sequence

Table 7: Timing specification of power sequence

Parameter	Min	Type	Max	Unit
T_{PRDY} - VDDx ready time	0.6	0.6	1	ms
T_{clk} - Internal ring clock stable time after VDD1833 ready	1	-	-	ms
T_{core} - LP core power ready time	1.5	1.5	-	ms
T_{boot} - HS MCU boot time	200	200	-	ms
V_{rst} - Shutdown occurs after CHIP_EN lower than this voltage	0	0	0.5 * VDDx	V
T_{rst} - The required time that CHIP_EN lower than V_{rst}	1	1	-	ms

Note: VDDx is the supply power of VDD_3V3

5.5 Power on or Resuming from Deep sleep Sequence

Note: VDDx is the supply power of VDD_3V3; CHIP_EN=Reset

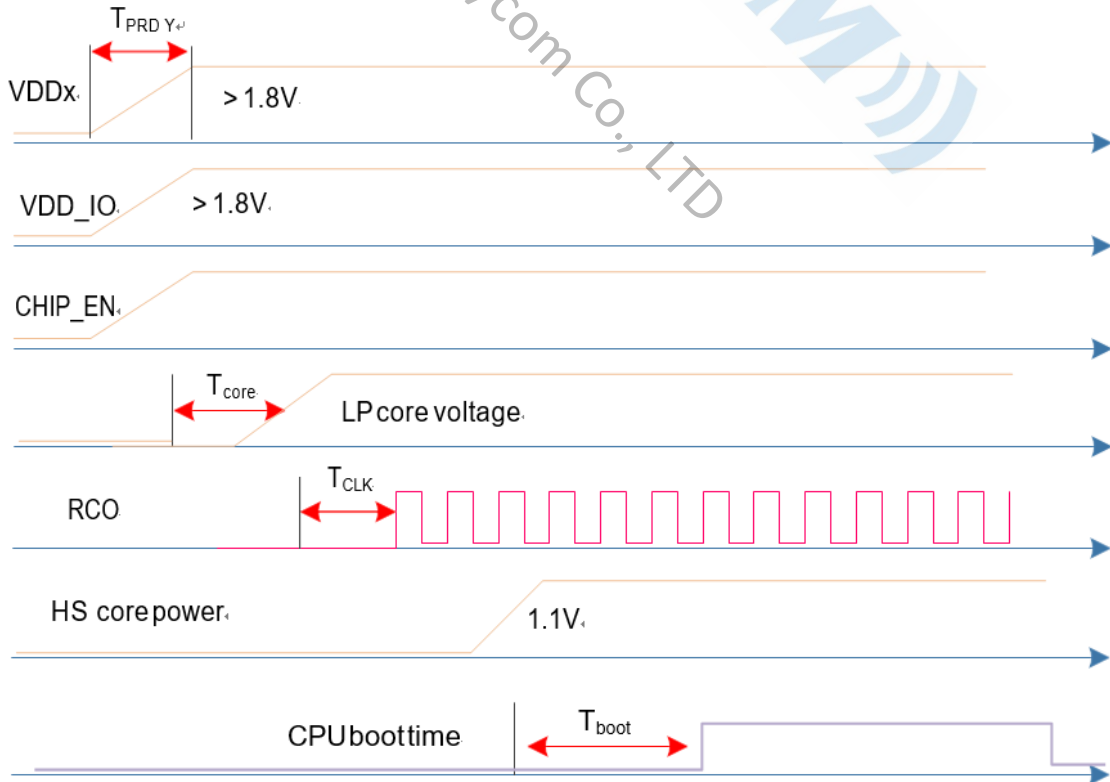


Figure 6: Timing sequence of power on or resuming from deepsleep

5.6 Shutdown Sequence

Note: VDDX is the supply power of VDD_3V3; CHIP_EN=Reset

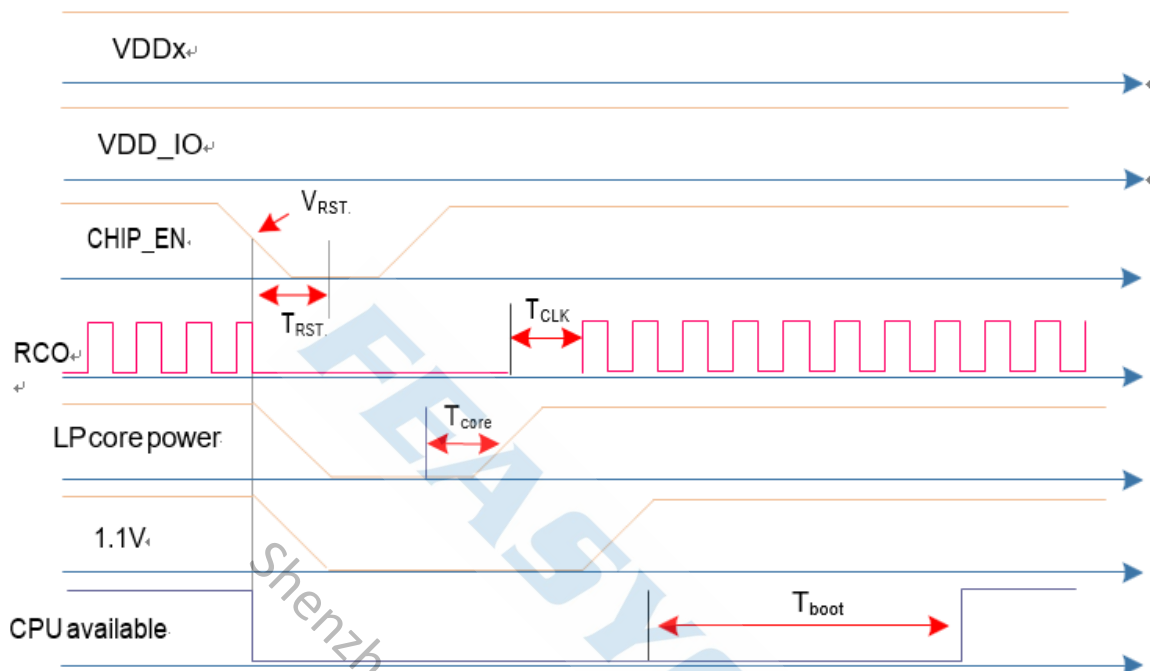


Figure 7: Timing sequence of shutdown

5.7 I2C Dynamic Characteristics

Table 8: I2C Dynamic Characteristics

Parameter	Standard Mode[1][2]		Fast Mode[1][2]		Unit
	Min	Max	Min	Max	
t _{LOW} - SCL low period	4.7	-	1.2	-	uS
T _{HIGH} - SCL high period	4	-	0.6	-	uS
t _{SU;STA} - Repeated START condition setup time	4.7	-	1.2	-	uS
t _{HD;STA} - START condition hold time	4	-	0.6	-	uS
t _{SU;STO} - STOP condition setup time	4	-	0.6	-	uS
t _{BUF} - Bus free time	4.7[3]	-	1.2[3]	-	uS
t _{SU;DAT} - Data setup time	250	-	100	-	uS
t _{HD;DAT} - Data hold time	0[4]	3.45[5]	0[4]	0.8[5]	uS
t _r - SCL/SDA rise time	-	1000	20+0.1CB	300	uS
t _f - SCL/SDA fall time	-	300	-	300	uS
C _b - Capacitive load for each bus line	-	400	-	400	pF

Note:

1. Guaranteed by design, not tested in production.
2. HCLK must be higher than 2 MHz to achieve the maximum standard mode I2C frequency. It must be higher than 8 MHz to achieve the maximum fast mode I2C frequency.
3. I2C controller must be retrigged immediately at slave mode after receiving STOP condition.
4. The device must internally provide a hold time of at least 300 ns for the SDA signal in order to bridge the undefined region of the falling edge of SCL.
5. The maximum hold time of the Start condition has only to be met if the interface does not stretch the low period of SCL signal.

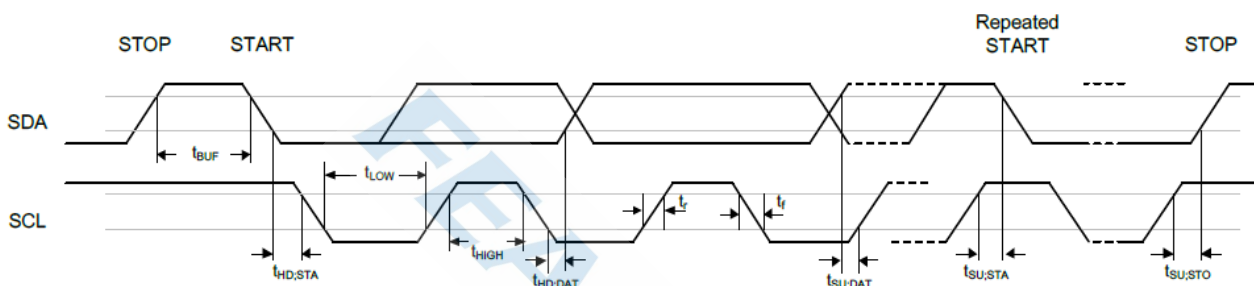


Figure 8: I2C Timing Diagram

5.8 Power consumptions

Table 9: Power consumptions(TBD)

Parameter	Test Conditions	Type	Unit
Bluetooth			
Search		~35	mA
Unconnected (Deep Sleep Idle Mode)	No support	-	mA
Connected Idle		~19	mA
Shutdown		<50	uA
WLAN			
3.3V Rating Current (With internal regulator and integrated COMS PA)		450	mA
Shutdown		<50	uA

6. MSL & ESD

Table 10: MSL and ESD

Parameter	Value
MSL grade:	MSL 3
ESD grade:	Human Body Model: Class-2 Machine Model: Class-B

7. RECOMMENDED TEMPERATURE REFLOW PROFILE

Prior to any reflow, it is important to ensure the modules were packaged to prevent moisture absorption. New packages contain desiccant (to absorb moisture) and a humidity indicator card to display the level maintained during storage and shipment. If directed to bake units on the card, please check the below and follow instructions specified by IPC/JEDEC J-STD-033.

Note: The shipping tray cannot be heated above 65°C. If baking is required at the higher temperatures displayed in the below, the modules must be removed from the shipping tray.

Any modules not manufactured before exceeding their floor life should be re-packaged with fresh desiccant and a new humidity indicator card. Floor life for MSL (Moisture Sensitivity Level) 3 devices is 168 hours in ambient environment 30°C/60%RH.

Table 11: Recommended baking times and temperatures

MSL	125°C Baking Temp.		90°C/≤ 5%RH Baking Temp.		40°C/ ≤ 5%RH Baking Temp.	
	Saturated @	Floor Life Limit	Saturated @	Floor Life Limit	Saturated @	Floor Life Limit
	30°C/85%	+ 72 hours @ 30°C/60%	30°C/85%	+ 72 hours @ 30°C/60%	30°C/85%	+ 72 hours @ 30°C/60%
3	9 hours	7 hours	33 hours	23 hours	13 days	9 days

Feasycom surface mount modules are designed to be easily manufactured, including reflow soldering to a PCB. Ultimately it is the responsibility of the customer to choose the appropriate solder paste and to ensure oven temperatures during reflow meet the requirements of the solder paste. Feasycom surface mount modules conform to J-STD-020D1 standards for reflow temperatures.

The soldering profile depends on various parameters necessitating a set up for each application. The data here is given only for guidance on solder reflow.

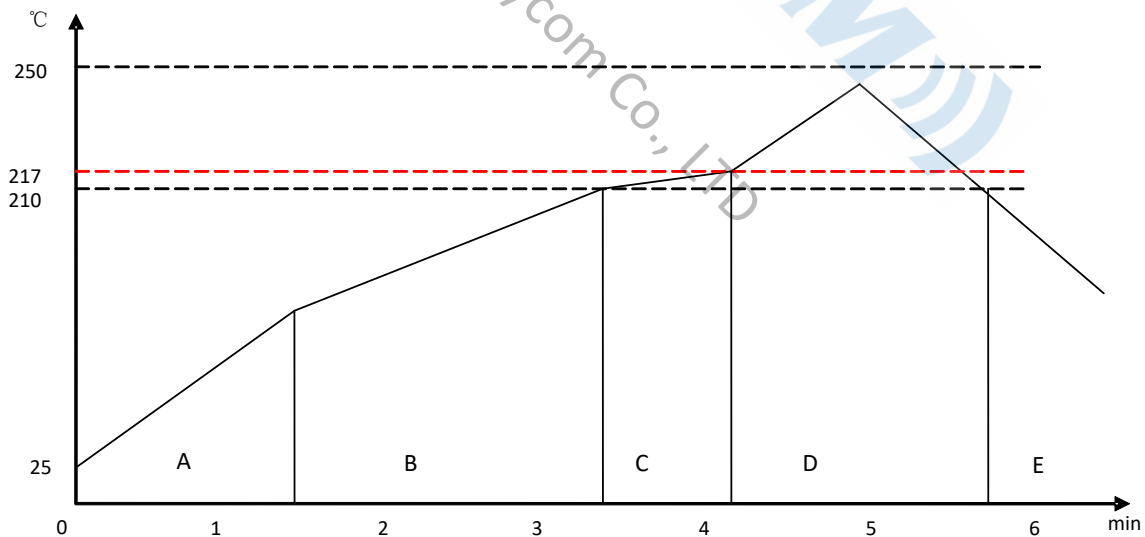


Figure 9: Typical Lead-free Re-flow

Pre-heat zone (A) — This zone raises the temperature at a controlled rate, typically 0.5 – 2 °C/s. The purpose of this zone is to preheat the PCB board and components to 120 ~ 150 °C. This stage is required to distribute the heat uniformly to the PCB board and completely remove solvent to reduce the heat shock to components.

Equilibrium Zone 1 (B) — In this stage the flux becomes soft and uniformly encapsulates solder particles and spread over PCB board, preventing them from being re-oxidized. Also with elevation of temperature and liquefaction of flux, each activator and rosin get activated and start eliminating oxide film formed on the surface of each solder particle and PCB board. **The temperature is recommended to be 150° to 210° for 60 to 120 second for this zone.**

Equilibrium Zone 2 (C) (optional) — In order to resolve the upright component issue, it is recommended to keep the temperature in 210 – 217 ° for about 20 to 30 second.

Reflow Zone (D) — The profile in the figure is designed for Sn/Ag3.0/Cu0.5. It can be a reference for other lead-free solder. The peak temperature should be high enough to achieve good wetting but not so high as to cause component discoloration or damage. Excessive soldering time can lead to intermetallic growth which can result in a brittle joint. The recommended peak temperature (Tp) is 230 ~ 250 °C. The soldering time should be 30 to 90 second when the temperature is above 217 °C.

Cooling Zone (E) — The cooling ate should be fast, to keep the solder grains small which will give a longer-lasting joint. Typical cooling rate should be 4 °C.

8. MECHANICAL DETAILS

8.1 Mechanical Details

- Dimension: 13mm(W) x 26.9mm(L) x 2.0mm(H) Tolerance: $\pm 0.2\text{mm}$
- Module size: 13mm X 26.9mm Tolerance: $\pm 0.2\text{mm}$
- Pad size: 1mmX0.8mm Tolerance: $\pm 0.2\text{mm}$
- Pad pitch: 1.5mm Tolerance: $\pm 0.1\text{mm}$

(分板后边角残留板边误差: 不大于 0.5mm) (Residual plate edge error: $< 0.5\text{mm}$)

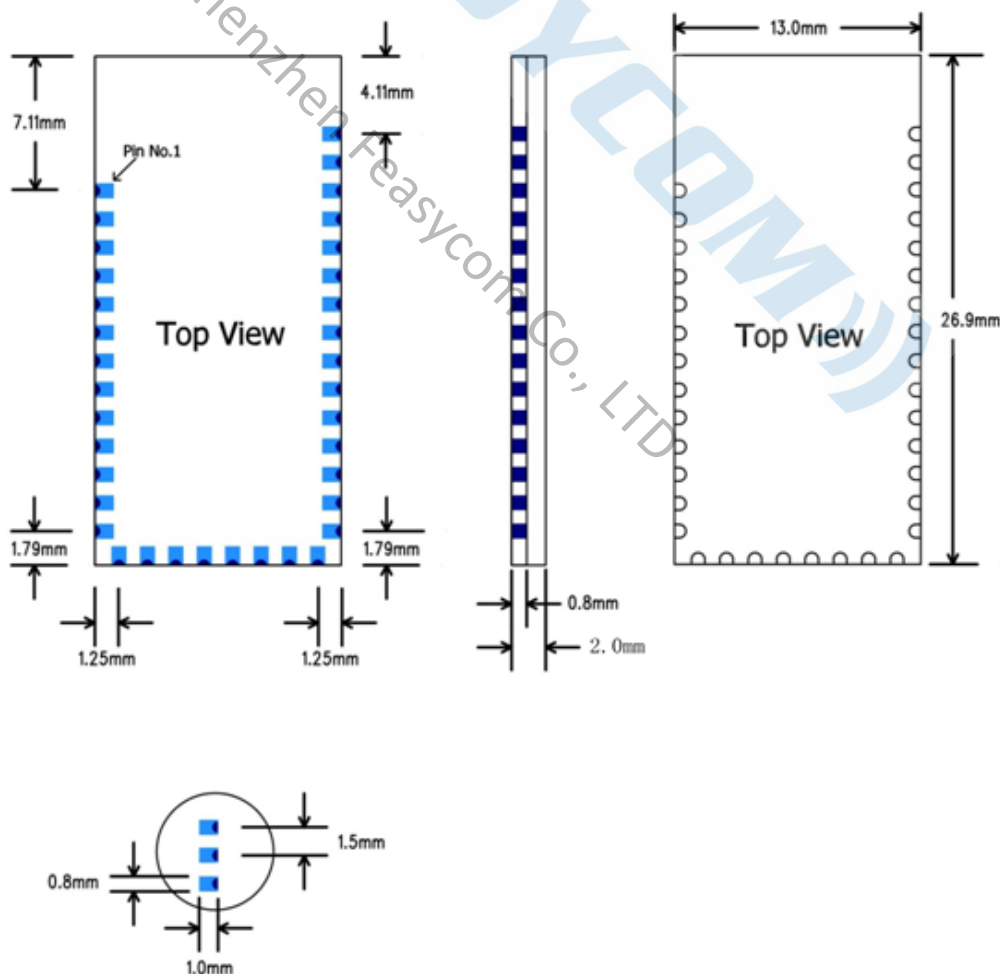


Figure 10: FSC-BW236 footprint

9. HARDWARE INTEGRATION SUGGESTIONS

9.1 Soldering Recommendations

FSC-BW236 is compatible with industrial standard reflow profile for Pb-free solders. The reflow profile used is dependent on the thermal mass of the entire populated PCB, heat transfer efficiency of the oven and particular type of solder paste used. Consult the datasheet of particular solder paste for profile configurations.

Feasycom will give following recommendations for soldering the module to ensure reliable solder joint and operation of the module after soldering. Since the profile used is process and layout dependent, the optimum profile should be studied case by case. Thus following recommendation should be taken as a starting point guide.

9.2 Layout Guidelines(Internal Antenna)

It is strongly recommended to use good layout practices to ensure proper operation of the module. Placing copper or any metal near antenna deteriorates its operation by having effect on the matching properties. Metal shield around the antenna will prevent the radiation and thus metal case should not be used with the module. Use grounding vias separated max 3 mm apart at the edge of grounding areas to prevent RF penetrating inside the PCB and causing an unintentional resonator. Use GND vias all around the PCB edges.

The mother board should have no bare conductors or vias in this restricted area, because it is not covered by stop mask print. Also no copper (planes, traces or vias) are allowed in this area, because of mismatching the on-board antenna.

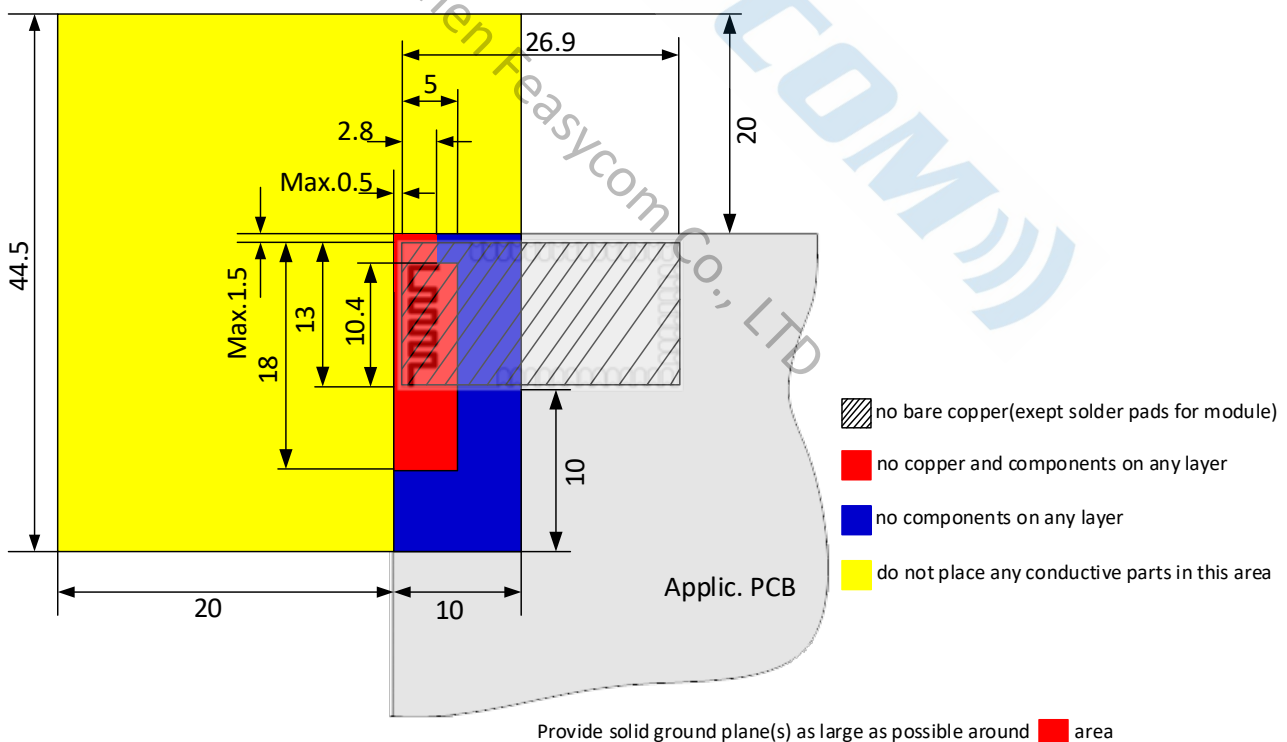


Figure 11: Restricted Area (Design schematic, for reference only. Unit: mm)

Following recommendations helps to avoid EMC problems arising in the design. Note that each design is unique and the following list do not consider all basic design rules such as avoiding capacitive coupling between signal lines. Following list is aimed to avoid EMC problems caused by RF part of the module. Use good consideration to avoid problems arising from digital signals in the design.

Ensure that signal lines have return paths as short as possible. For example if a signal goes to an inner layer through a via,

always use ground vias around it. Locate them tightly and symmetrically around the signal vias. Routing of any sensitive signals should be done in the inner layers of the PCB. Sensitive traces should have a ground area above and under the line. If this is not possible, make sure that the return path is short by other means (for example using a ground line next to the signal line).

9.3 Layout Guidelines(External Antenna)

Placement and PCB layout are critical to optimize the performances of a module without on-board antenna designs. The trace from the antenna port of the module to an external antenna should be 50Ω and must be as short as possible to avoid any interference into the transceiver of the module. The location of the external antenna and RF-IN port of the module should be kept away from any noise sources and digital traces. A matching network might be needed in between the external antenna and RF-IN port to better match the impedance to minimize the return loss.

As indicated in below, RF critical circuits of the module should be clearly separated from any digital circuits on the system board. All RF circuits in the module are close to the antenna port. The module, then, should be placed in this way that module digital part towards your digital section of the system PCB.

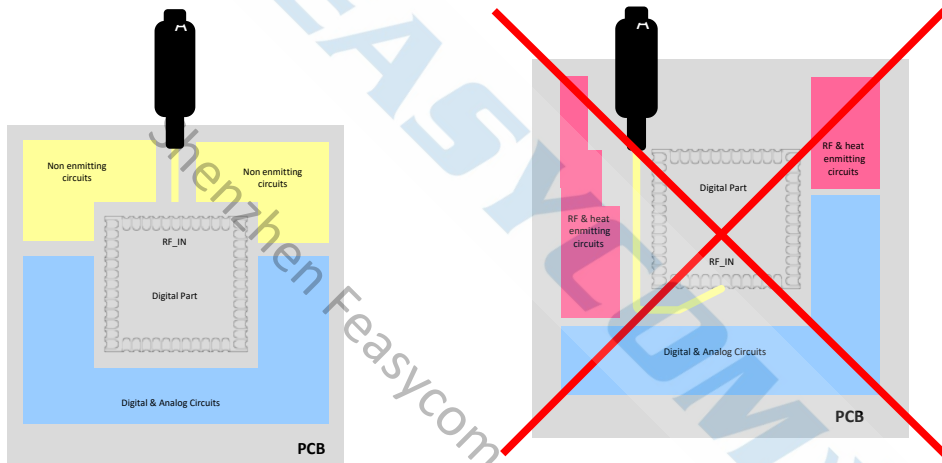


Figure 12: Placement the Module on a System Board

9.3.1 Antenna Connection and Grounding Plane Design

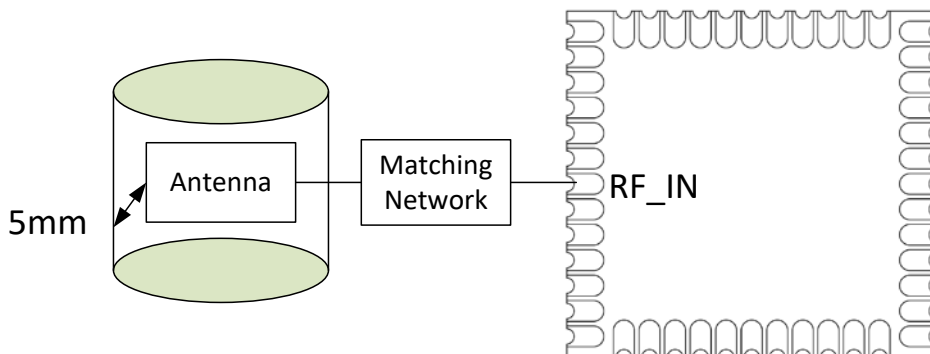


Figure 13: Leave 5mm Clearance Space from the Antenna

General design recommendations are:

- The length of the trace or connection line should be kept as short as possible.
- Distance between connection and ground area on the top layer should at least be as large as the dielectric thickness.
- Routing the RF close to digital sections of the system board should be avoided.
- To reduce signal reflections, sharp angles in the routing of the micro strip line should be avoided. Chamfers or fillets are preferred for rectangular routing; 45-degree routing is preferred over Manhattan style 90-degree routing.

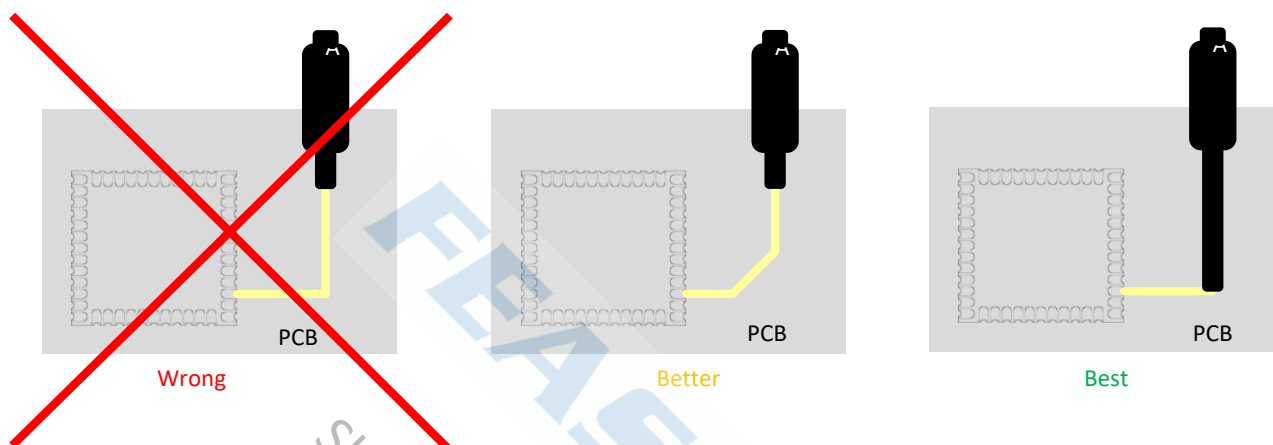


Figure 14: Recommended Trace Connects Antenna and the Module

- Routing of the RF-connection underneath the module should be avoided. The distance of the micro strip line to the ground plane on the bottom side of the receiver is very small and has huge tolerances. Therefore, the impedance of this part of the trace cannot be controlled.
- Use as many vias as possible to connect the ground planes.

10. PRODUCT PACKAGING INFORMATION

10.1 Default Packing

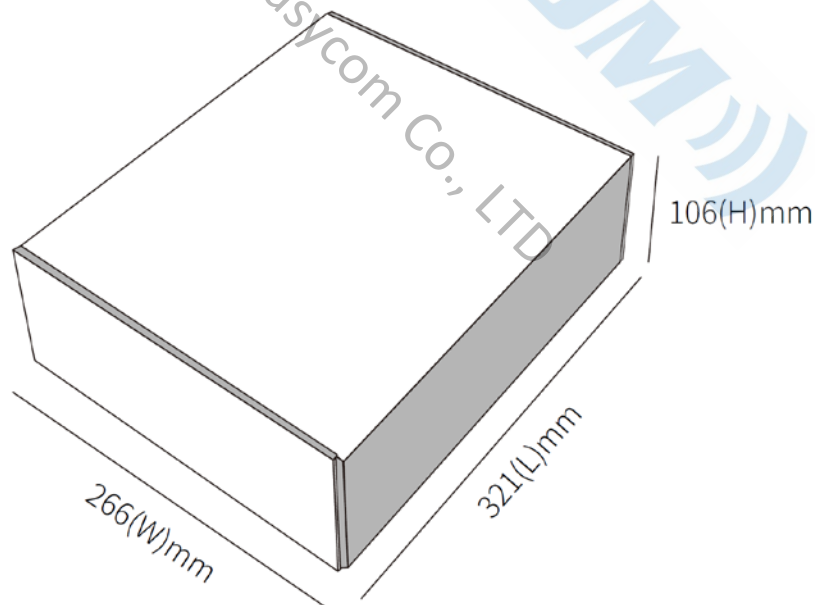
- Tray vacuum
- Tray Dimension: 180mm * 195mm





Figure 15: Tray vacuum

10.2 Packing box(Optional)



- * If other packing is required, please confirm with the customer
- * Packing: 1000pcs per carton (Minimum packing quantity)
- * **The outer packing size is for reference only, please refer to the actual size**

Figure 16: Packing Box

11. Certification

Important Note: This certificate is only limited to the model: FSC-BW236_1, and the module must come with shield case, as shown in below picture.

重要提示: 此证书仅限定用于型号: FSC-BW236_1, 且模块必需带屏蔽盖, 如下图所示.



11.1 FCC

FSC-BT909_FCC Certificate (DSS)

FCC IDENTIFIER: 2AMWOFSC-BW236
Name of Grantee: Shenzhen Feasycom Technology Co.,Ltd

Equipment Class: Unlicensed National Information Infrastructure TX
Notes: Bluetooth and Wi-Fi combo module
Modular Type: Single Modular

<u>Grant Notes</u>	<u>FCC Rule Parts</u>	<u>Frequency Range (MHZ)</u>	<u>Output Watts</u>	<u>Frequency Tolerance</u>	<u>Emission Designator</u>
38 CC	15E	5180.0 - 5240.0	0.007836		
38 CC	15E	5745.0 - 5825.0	0.011666		

Single Modular Approval. Output power listed is conducted power. This device contains 20 and 40 MHz signal bandwidth. The antenna used with this transmitter must be installed to provide a minimum separation distance of at least 20 cm from all persons and must not be co-located or operating in conjunction with any other antenna or transmitter, except in accordance with FCC multi-transmitter product procedures. End-users must be provided with operating procedures for satisfying RF exposure compliance, OEM integrators and end-users must be provided with transmitter operation conditions for satisfying RF exposure compliance. Only the antenna tested with the device or similar antennas with equal or lesser gain may be used with this transmitter.

38: This device has shown compliance, in all grant-listed U-NII sub-bands, with the new rules for U-NII devices adopted under Docket No. 13-49 and may be marketed, manufactured or imported after the June 1, 2016 transition deadline.
 CC: This device is certified pursuant to two different Part 15 rules sections.

FSC-BT909_FCC Certificate (DTS)

FCC IDENTIFIER: 2AMWOFSC-BW236
Name of Grantee: Shenzhen Feasycom Technology Co.,Ltd

Equipment Class: Digital Transmission System
Notes: Bluetooth and Wi-Fi combo module
Modular Type: Single Modular

<u>Grant Notes</u>	<u>FCC Rule Parts</u>	<u>Frequency Range (MHZ)</u>	<u>Output Watts</u>	<u>Frequency Tolerance</u>	<u>Emission Designator</u>
CC	15C	2402.0 - 2480.0	0.005699		
CC	15C	2412.0 - 2462.0	0.043152		

Single Modular Approval. Output power listed is conducted power. This device contains 20 and 40 MHz signal bandwidth. The antenna used with this transmitter must be installed to provide a minimum separation distance of at least 20 cm from all persons and must not be co-located or operating in conjunction with any other antenna or transmitter, except in accordance with FCC multi-transmitter product procedures. End-users must be provided with operating procedures for satisfying RF exposure compliance, OEM integrators and end-users must be provided with transmitter operation conditions for satisfying RF exposure compliance. Only the antenna tested with the device or similar antennas with equal or lesser gain may be used with this transmitter.

CC: This device is certified pursuant to two different Part 15 rules sections.

11.2 IC



TECHNICAL ACCEPTANCE CERTIFICATE

TECHNICAL ACCEPTANCE CERTIFICATE
 23872-FSCBW236 / 26 Nov 2020 / Rev A
 for Innovation, Science and Economic Development (ISED) Canada

MiCOM Labs Inc. declares, on the basis of the assessment of the tests and the technical documentation provided by the applicant that the following product complies with the requirements of the above noted regulator.

Product Marketing Name:
Bluetooth and Wi-Fi combo module

Applicant Name:
Shenzhen Feasycom Technology Co.,LTD

I hereby attest that the subject equipment was tested and found in compliance with the below noted specification.
 J'atteste, par la présente, que le matériel a fait l'objet d'essai et a été jugé conforme à la spécification ci-dessous.





Gordon Hurst, Product Certifier

This Certificate is Issued under the Authority of:
MiCOM Labs Inc., 575 Boulder Court, Pleasanton, California 94566, USA
 FCB Number: US0159

POCE276

Page 1 of 3

23872-FSCBW236

Doc-Certv2.1

11.3 CE



Shenzhen POCE Technology Co.,Ltd.

H Building, Hongfa Science and Technology Park,
Tangtou, Shiyan, Bao'an District, Shenzhen, China

CERTIFICATE OF CONFORMITY

Certificate No. : POCE201031003SCE
Applicant : Shenzhen Feasycom Technology Co.,LTD
Address : Room 2004A,20th Floor,Huichao Technology Building,Jinhai
Road,Xixiang,Baoan District,Shenzhen,China 518102
Manufacturer : Shenzhen Feasycom Technology Co.,LTD
Address : Room 2004A,20th Floor,Huichao Technology Building,Jinhai
Road,Xixiang,Baoan District,Shenzhen,China 518102
Product Name : Bluetooth and Wi-Fi combo module
Model Name : FSC-BW236
Trade Name : Feasycom

Essential Requirement		Applied Specification /Standards	Documentary Evidence	Result
Art.3.1(a)	Safety	EN 62368-1:2014+A11:2017	Test Report: POCE201030020HRS	Conform
Art.3.1(b)	EMC	ETSI EN 301 489-1 V2.2.3 ETSI EN 301 489-3 V2.1.1 ETSI EN 301 489-17 V3.2.4	Test Report: POCE201031004RRE	Conform
Art.3.1(a)	Health	EN62311: 2008	Test Report:POCE201031006VRE	Conform
Art.3.2	Radio	ETSI EN 300 328 V2.2.2	Test Report: POCE201031005SRE	Conform
			Test Report: POCE201031007PRE	
		ETSI EN 300 440 V2.2.1	Test Report:POCE201112034QRE	
		ETSI EN 301 893 V2.1.1	Test Report: POCE201031008GRE	

The certificate is issued in accordance with the Radio Equipment
Directive2014/53/EU of 16 April 2014.



Chief Executive / Bill Yuan
Date: Nov.02, 2020

This certificate of conformity is based on a single evaluation of the submitted sample(s) of the above mentioned product. It does not imply an assessment of the whole production and other relevant directives have to be observed.



Web: <http://www.poce-cert.com> Tel: +86-755-29113252 E-mail: service@poce-cert.com

11.4 KC

방송통신기자재등의 적합인증서 <i>Certificate of Broadcasting and Communication Equipments</i>	
상호 또는 성명 <i>Trade Name or Applicant</i>	Shenzhen Feasycom Technology Co.,LTD
기자재명칭 <i>Equipment Name</i>	특정소출력 무선기기(무선랜을 포함한 무선접속시스템용 무선기기(5150~5350MHz, 5470~5850MHz 주파수 대역))
기본모델명 <i>Basic Model Number</i>	FSC-BW236
기기부호/추가 기기부호 <i>Equipment code /Additional Equipment code</i>	LARN5 / LARN8
파생모델명 <i>Series Model Number</i>	
인증번호 <i>Certification No.</i>	R-C-fea-FSC-BW236
제조사/제조국가 <i>Manufacturer /Country of Origin</i>	Shenzhen Feasycom Technology Co.,LTD / 중국
인증연월일 <i>Date of Certification</i>	2022-03-07
기타 <i>Others</i>	
<p>위 기자재는 「전파법」 제58조의2 제2항에 따라 인증되었음을 증명합니다.</p> <p>It is verified that foregoing equipment has been certificated under the Clause 2, Article 58-2 of Radio Waves Act.</p> <p style="text-align: right;">2022년(Year) 03월(Month) 07일(Day)</p> <p style="text-align: center;">국립전파연구원장</p> <p style="text-align: center;"></p> <p style="text-align: center;"><i>Director General of National Radio Research Agency</i></p> <p style="text-align: center; color: red;">※ 인증 받은 방송통신기자재는 반드시 "적합성평가표시" 를 부착하여 유통하여야 합니다. 위반시 과태료 처분 및 인증이 취소될 수 있습니다.</p>	

11.5 TELECOM

98C43B86D468487FBB206BE53E9615ED



CERTIFICATE of COMPLIANCE



Certificate Validation

CERTIFICATE OF COMPLIANCE
R210-178757 / 24 Apr 2022 / Rev B
for Radio Equipment in JAPAN

MiCOM Labs Inc. declares, on the basis of the assessment of the tests and the technical documentation provided by the applicant that the following product complies with the requirements of the above noted regulator.

Product Name:
Bluetooth and WIFI combo module

Approval Holder Name:
Shenzhen Feasycom Technology Co., LTD





Gordon Hurst, Product Certifier

This Certificate is Issued under the Authority of:
MiCOM Labs Inc., 575 Boulder Court, Pleasanton, California 94566, USA
 Registered Certification Body ID Number: 210

Page 1 of 4 R210-178757

98C43B86D468487FBB206BE53E9615ED Doc - CertV2.4q



11.6 SRRC



编号: 2020-10597
Number

设备名称: 5.8GHz/5.1GHz/2.4GHz无线局域网/蓝牙模块
Equipment Name

设备型号: FSC-BW236
Equipment Type

主要功能: 数据传输
Main Functions

调制方式: BPSK/QPSK/16QAM/64QAM/DBPSK/DQPSK/CCK
Modulation Mode: GFSK

主要技术参数及其指标值:
Main Technical Parameters

5725-5850MHz 5150-5250MHz 2400-2483.5MHz
频率范围:
Frequency Range

≤20ppm
频率容限:
Frequency Tolerance

≤33dBm (EIRP)
≤23dBm (EIRP)
≤20dBm (EIRP)
发射功率:
Transmitting Power

≤20MHz ≤20MHz
≤40MHz ≤3MHz
占用带宽:
Occupied Bandwidth

≤-30dBm
杂散发射限值:
Spurious Emission Limits



(核发单位章)
Sealed by issuing authority
2020年09月14日
Year Month Date

12. APPLICATION SCHEMATIC

