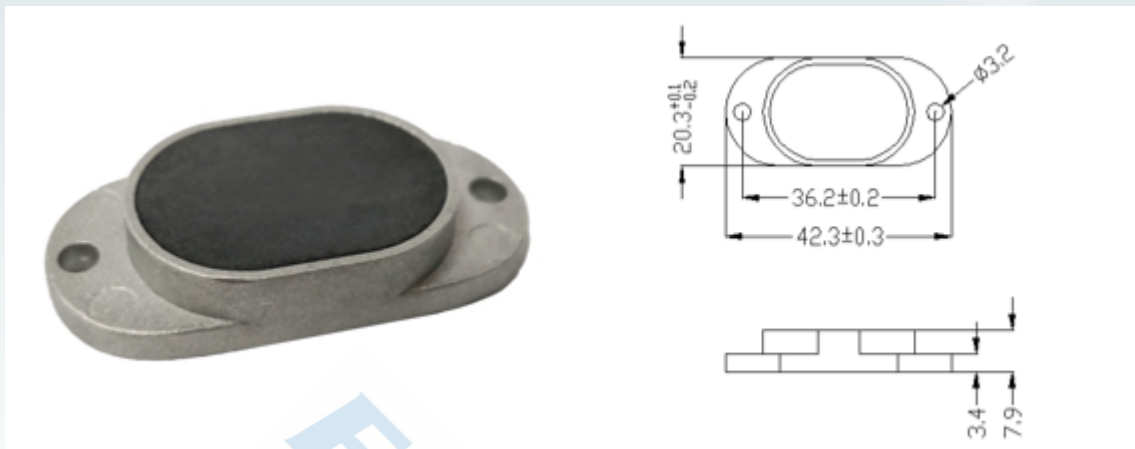


# High temperature label FSC-RT033

The high-temperature tag FSC-RT033 is specially designed for complex and high-temperature environments such as metals. It has the characteristics of long reading distance, high sensitivity, and easy installation. It is suitable for various metal environments, especially high-temperature environments. It is conveniently applied to various metal, high temperature and other occasions.



## Features

working frequency:	920~925 MHz
Read and write sensitivity	-8dBm (on metal surface)
chip	Alien H3
Read and write protocol:	ISO 18000-6C, EPC global C1Gen2
Function:	read/write

## Chip Features

EPC	96bits-EPC
chip memory	512bits User
TID:	64bits
Access password:	32bits
kill password:	32bits
Data storage time:	10 years
Rewritable times:	100,000 times

## physical properties

Physical Dimensions (LxWxH):	42mm x 20mm x 8mm
Shell material	High temperature resistant material/metal
color	black
weight	15g
installation method	Screws/Rivets

## use environment

Protection class:	IP68
storage temperature:	-20°C ~ +40°C
Temperature resistance:	-40°C ~ +230°C

## Applications:

It is suitable for various metal environments, especially high temperature environments, and can be easily applied to various metal, high temperature and other occasions.