

FeasyBeacon

FSC-BP103B Datasheet



1. Description

FeasyBeacon FSC-BP103B is a Bluetooth 5.1 low-energy smart beacon, it supports iBeacon, Eddystone (such as URL, UID, TLM), AltBeacon for broadcasting, and can promote up to 10 advertising frame slots.

With the iOS & Android FeasyBeacon SDK, the developers can take advantage of the flexibility of the SDK and focus on their own application, such as Broadcast, Proximity Marketing, Digital Signage, Indoor and Outdoor Location, Asset Tracking, Vehicle Tracking, etc. Meanwhile, FeasyBeacon SDK compiled app is available to download from both the iOS and Android platform (search 'FeasyBeacon' to download).



2. Features

- Bluetooth 5.1 Compliant
- Pre-programmed with Feasycom Standard Beacon Firmware
- Up to 10 slots of Advertising Frames
- Portable Small-sized Beacon with 3 Year Battery Life (by Default Settings)
- Variety of Additional Components (e.g. Button, Optional G-sensor, Optional Buzzer)
- Configurable by Free FeasyBeacon Mobile App and SDK
- Customizable Color, Logo, Hardware, Software

3. Functional Specifications

Item	Description
Advertising Format	Eddystone (URL/ UID/ TLM), iBeacon, AltBeacon
Configuring Method	FeasyBeacon SDK compiled app (e.g. FeasyBeacon app)
Advertising Interval	Default 1300 ms, range from 100 ms to 10000 ms
Security	Access password required, Default Pin Code 000000
Max Number of Broadcast	10 Slots configurable advertising frames
Default Broadcast Interval	1300 ms for iBeacon & Eddystone
System Compatibility	iOS 7.0+, Android 4.3+
Advertising Distance	Up to 160m (open area)
Firmware Upgrading	OTA (upgrade firmware over the air)

4. Product Specifications

Item	Description
Chipset	DA14531
Bluetooth Version	Bluetooth 5.1
TX power	-19.5 dBm to +2.5 dBm
Antenna	PCB Coil antenna
Button	Long press central area for power on / off
G-Sensor	Optional
Buzzer	Optional
Power Supply	CR2032
Battery Life	3 Years (ADV Interval = 1300 ms; TX Power = 0 dBm)
Material	ABS plastic
Color	White or customized
Size	37.8(L)mm x 33.8(W)mm x 7.9(H) mm
Net weight	6.4g
Protection	IP40
Operating temperature	-20°C to +60°C

5. Configurable Parameters

Parameters in the below table are configurable by FeasyBeacon SDK compiled app (e.g. FeasyBeacon app), feel free to download FeasyBeacon app from Google Play App Store or iOS App Store.

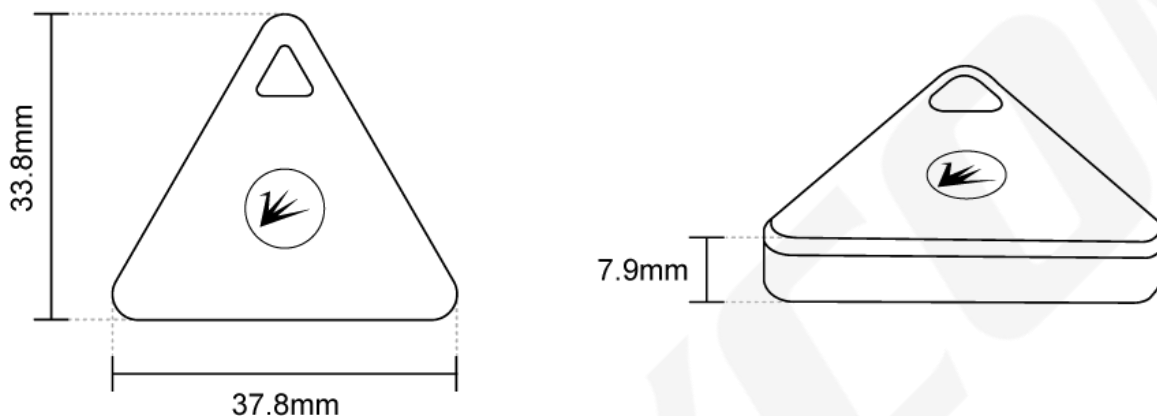
Parameter		Description
Device Name		UTF-8 string, Default: FSC-BP103B-XXXXXX
Pin Code		Access password to FSC-BP103B Default: 000000, Range: 000000 ~ 999999
Advertising Interval		Default: 1300 ms, Range: 100 ~ 10000 ms
Tx Power		Maximum Tx power: +2.5 dBm Default: 0 dBm, Range: -19.5 ~ 2.5 dBm
Eddystone-URL	URL	URL that needed to be advertising
	RSSI at 0m	A 1-byte value representing the average received signal strength at 0m from the advertiser (FSC-BP103B), range: 0 ~ -127
Eddystone-UID	Namespace	10-byte Namespace
	Instance	6-byte Instance
	Reserved	Reserved for future use
	RSSI at 0m	A 1-byte value representing the average received signal strength at 0m from the advertiser (FSC-BP103B), range: 0 ~ -127
iBeacon	UUID	16-byte UUID, e.g. FDA50693A4E24FB1AFCFC6EB07647825
	Major	2-byte Major, range: 0 ~ 65535
	Minor	2-byte Minor, range: 0 ~ 65535
	RSSI at 1m	A 1-byte value representing the average received signal strength at 1m from the advertiser (FSC-BP103B), range: 0 ~ -127
AltBeacon	ID1	Beacon Identifier 1
	ID2	Beacon Identifier 2
	ID3	Beacon Identifier 3
	RSSI at 1m	A 1-byte value representing the average received signal strength at 1m from the advertiser (FSC-BP103B), range: 0 ~ -127
	Manufacturer ID	The beacon device manufacturer's company identifier code
	Manufacturer Reserved	Reserved for use by the manufacturer to implement special features

6. Battery Life & Cover Range Estimation

Tx Power (dBm) \ Advertising Interval (ms)	-19.5	-7	-3.5	0	2.5
100	210	168	146	122	104
150	307	243	203	174	143
200	369	332	242	221	196
300	591	464	369	351	290
400	698	606	484	446	369
550	864	763	611	556	505
750	1160	997	776	751	669
850	1266	1100	849	835	732
1000	1393	1198	1033	941	871
1300	1695	1483	1182	1109	999
2000	2242	1940	1610	1575	1366
3000	2815	2314	2121	2069	1867
4000	3004	2717	2520	2221	2155
5000	3199	3004	2806	2561	2428
6000	3472	3073	2966	2798	2506
7000	3524	3348	3199	2929	2741
10000	2858	3720	3472	3372	3104

Notes: Battery life in **days** when Applying CR2032. These values are tested or estimated in the laboratory, the battery life might be different in different environments or conditions.

7. Dimensions



8. Declaration

The contents of this datasheet are subject to change without prior notice for further improvement. Feasycom team reserves all the rights for the final explanation.

iBeacon is a trademark of Apple Inc., Eddystone is a trademark of Google Inc.

Please contact Feasycom sales team or visit <https://www.feasycom.com/> to get more related information if needed.

9. Contact Information

Shenzhen Feasycom Technology Co.,LTD

Address: Rm 2004-2005, 20F, Huichao Technology Bldg, Jinhai Rd, Xixiang, Baoan Dist, Shenzhen, 518100, China.

Telephone: 86-755-23062695

Support: support@feasycom.com

Sales Service: sales@feasycom.com

Revision History

Version	Changes	Author
1.0	Initial Release	Fish