



FSC-BT3431

DATASHEET V1.1

Copyright © 2013-2023 Feasycom . All Rights Reserved.

Feasycom Technology reserves the right to make corrections, modifications, and other changes to its products, documentation and services at anytime. Customers should obtain the newest relevant information before placing orders. To minimize customer product risks, customers should provide adequate design and operating safeguards. Without written permission from Feasycom Technology, reproduction, transfer, distribution or storage of part or all of the contents in this document in any form is prohibited.

Revision History

Version	Date	Notes	Author
V1.0	2023-11-09	Initial Version	Xianjian Mo
V1.1	2023-12-19	Update the pin definition	Xianjian Mo

Shenzhen Feasycom Co., LTD

Contact Us

Shenzhen Feasycom Co.,LTD

Email: sales@feasycom.com

Address: Rm 508, Building A, Fenghuang Zhigu, No.50, Tiezai Road, Xixiang, Baoan District, Shenzhen, 518100, China.
Tel: 86-755-27924639

1 INTRODUCTION

Overview

FSC-BT3431 supporting Bluetooth LE; BLE 5.1 and SIG Mesh.

By default, FSC-BT3431 module is equipped with powerful and easy-to-use Feasycom firmware. It's easy to use and completely encapsulated. Feasycom firmware enables users to access Bluetooth functionality with simple ASCII commands delivered to the module over serial interface - it's just like a Bluetooth modem.

Therefore, FSC-BT3431 provides an ideal solution for developers who want to integrate Bluetooth wireless technology into their design.

Features

- **Low power comparator**
 - Radio receive current: 3.8 mA@3.3 V
 - Radio transmit current: 4.2 mA @0 dBm/3.3 V
 - Sleep mode (48 KB RAM retention): 1.4 μ A@3 V
 - PD mode: 130 Na
- **RF Specification:**
 - RX sensitivity: -96 dBm @BLE 1 Mbps
 - RX sensitivity: -93 dBm @BLE 2 Mbps
 - Power of programmable transmitter: up to +6 dBm
 - Single end antenna
- **Clock:**
 - HSE: 32 MHz high speed external crystal
 - LSE: 32.768 KHz low speed external crystal
 - HSI: high speed internal RC 64 MHz

Application

- Bluetooth KEY
- OBU
- Bluetooth voice remote controller
- Smart home
- • data transmission module

2 General Specification

Table 2-1: General Specifications

Categories	Features	Implementation
Bluetooth		
	Bluetooth Standard	Bluetooth V5.1
	Frequency Band	2402MHz ~ 2480MHz
	Interface	UART/I ² S/I ² C
	Transmit Power	+6 dBm (Max.)
	Receiver	-96dBm (Min.) @BLE 1Mbps
Size		12mm × 15 mm × 1.7mm
Operating temperature		-40°C ~+85°C
Storage temperature		-40°C ~+85°C
Supply Voltage		1.8V/2.32V~3.6V
Miscellaneous	Lead Free	Lead-free and RoHS compliant
	Warranty	One Year
Humidity		10% ~ 90% non-condensing
MSL grade:		MSL 3
ESD grade:		Human Body Model: Pass ±2000 V, Charge device model: Pass ±500 V,

FEASYCOM
 Shenzhen Feasycom Co., LTD

3 HARDWARE SPECIFICATION

3.1 Block Diagram and PIN Diagram

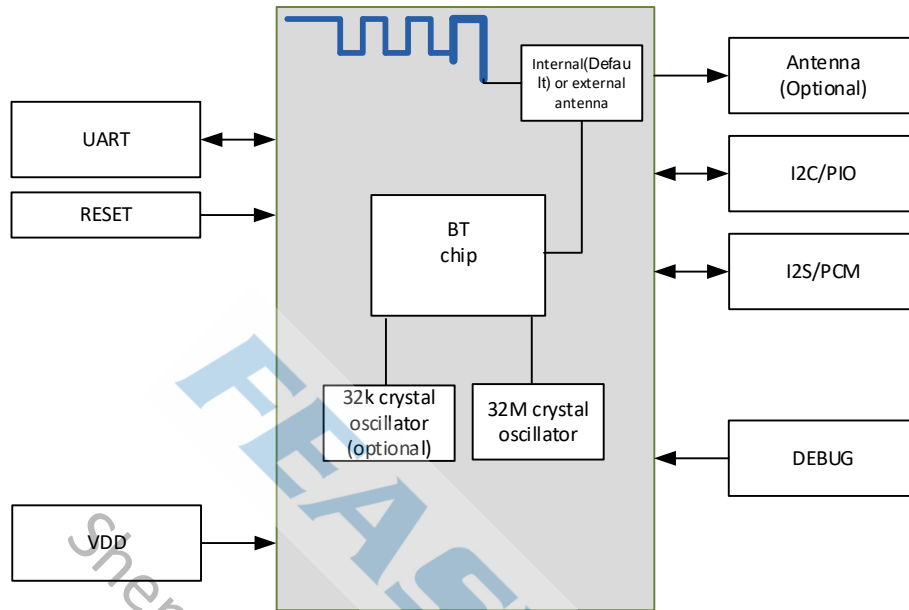


Figure 3-1-1: FSC-BT3431 Block Diagram

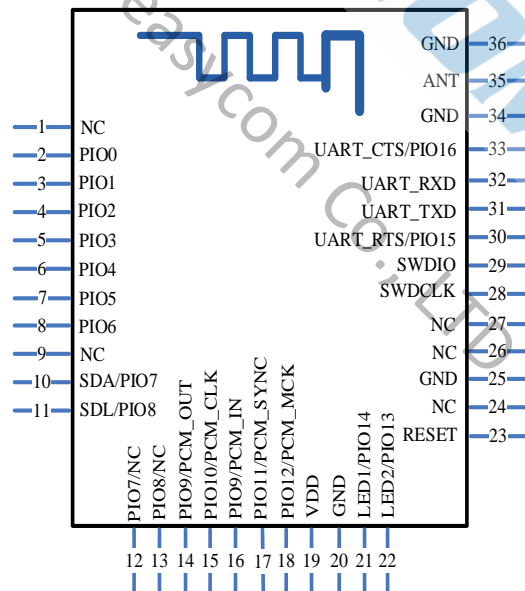


Figure 3-1-2: FSC-BT3431 PIN Diagram (Top View)

3.2 PIN Definition Descriptions

Table 3-2: Pin definition

Pin	Pin Name	Type	Pin Descriptions	Notes
1	NC			
2	PIO0	I/O	Programmable I/O	
3	PIO1	I/O	Programmable I/O	
4	PIO2	I/O	Programmable I/O	
5	PIO3	I/O	Programmable I/O	
6	PIO4	I/O	Programmable I/O	
7	PIO5	I/O	Programmable I/O	
8	PIO6	I/O	Programmable I/O	
9	NC			
10	SDA/PIO7	I/O	I2C_SDA Alternative function: Programmable I/O When pin 11 is used, or an internal 32K crystal is used, this pin can only be NC	
11	SDL/PIO8	I/O	I2C_SCL Alternative function: Programmable I/O When pin 12 is used, or an internal 32K crystal is used, this pin can only be NC	
12	PIO7/NC	I/O	Programmable I/O When pin 10 is used, or an internal 32K crystal is used, this pin can only be NC	
13	PIO8/NC	I/O	Programmable I/O When pin 11 is used, or an internal 32K crystal is used, this pin can only be NC	
14	PIO9/PCM_OUT	I/O	Programmable I/O Alternative function: PCM_OUT	
15	PIO10/PCM_CLK	I/O	Programmable I/O Alternative function: PCM_CLK	
16	PIO9/PCM_IN	I/O	Programmable I/O Alternative function: PCM_IN	
17	PIO11/PCM_SYNC	I/O	Programmable I/O Alternative function: PCM_SYNC	
18	PIO12/PCM_MCK	I/O	Programmable I/O Alternative function: PCM_MCK	
19	VDD	VDD	3V3	
20	GND	Vss	Power Ground	
21	LED1/PIO14	I/O	LED1 Alternative function: Programmable I/O	
22	LED2/PIO13	I/O	LED2 Alternative function: Programmable I/O	
23	RESET	I	RESET	

24	NC		
25	GND	Vss	Power Ground
26	NC		
27	NC		
28	SWDCLK	I	DEBUG: SWDCLK Alternative function 1: Programmable I/O
29	SWDIO	I/O	DEBUG: SWDIO Alternative function 1: Programmable I/O
30	PIO15/UART_RTS	I/O	UART_RTS Alternative function 1: Programmable I/O
31	UART_TXD	O	UART_TXD Alternative function 1: Programmable I/O
32	UART_RXD	I	UART_RXD Alternative function 1: Programmable I/O
33	PIO16/UART_CTS	I/O	UART_CTS Alternative function 1: Programmable I/O
34	GND	Vss	Power Ground
35	ANT	RF	Bluetooth transmit/receive(Optional).
36	GND	Vss	Power Ground

FEASYCOM
 Shenzhen Feasycom Co., LTD

4 PHYSICAL INTERFACE

4.1 UART Interface

FSC-BT3431 UART interface is a standard 4-wire interface with RX, TX, CTS, and RTS. Supports H4 HCI interface.

or raw UART to application. The default baud rate is 115.2k baud. In order to support high and low speed baud rate, FSC-BT3431 provides multiple UART clocks.

Table 4-1: Possible UART Settings

Parameter	Possible Values
Baud rate	Minimum -
	Standard 115200bps
	Minimum -
Flow control	Supports Automatic Flow Control (CTS and RTS lines)
Parity	None, Odd or Even
Number of stop bits	1
Bits per channel	8

5 MSL & ESD

Table 5-1: MSL and ESD

Parameter	Value
MSL grade:	MSL 3
ESD grade	Electrostatic discharge
ESD – Human-body model (HBM) rating, JESD22-A114-F (Total samples from one wafer lot)	Pass ±2000 V, all pins
ESD – Charge-device model (CDM) rating, JESD22-C101-D (Total samples from one wafer lot)	Pass ±500 V, all pins

6 RECOMMENDED TEMPERATURE REFLOW PROFILE

Prior to any reflow, it is important to ensure the modules were packaged to prevent moisture absorption. New packages contain desiccant (to absorb moisture) and a humidity indicator card to display the level maintained during storage and shipment. If directed to bake units on the card, please check the below and follow instructions specified by IPC/JEDEC J-STD-033.

Note: The shipping tray cannot be heated above 65°C. If baking is required at the higher temperatures displayed in the below, the modules must be removed from the shipping tray.

Any modules not manufactured before exceeding their floor life should be re-packaged with fresh desiccant and a new humidity indicator card. Floor life for MSL (Moisture Sensitivity Level) 3 devices is 168 hours in ambient environment 30°C/60%RH.

Notice (注意):

Feasycom module must use Step-Stencil, suggestion using the stencil thickness about 0.16-0.2mm, it could be modify with the product.

Table 6-1: Recommended baking times and temperatures

MSL	125°C Baking Temp.			90°C/≤ 5%RH Baking Temp.			40°C/ ≤ 5%RH Baking Temp.		
	Saturated 30°C/85%	@	Floor Life Limit + 72 hours @ 30°C/60%	Saturated 30°C/85%	@	Floor Life Limit + 72 hours @ 30°C/60%	Saturated 30°C/85%	@	Floor Life Limit + 72 hours @ 30°C/60%
3	9 hours		7 hours	33 hours		23 hours	13 days		9 days

Feasycom surface mount modules are designed to be easily manufactured, including reflow soldering to a PCB. Ultimately it is the responsibility of the customer to choose the appropriate solder paste and to ensure oven temperatures during reflow meet the requirements of the solder paste. Feasycom surface mount modules conform to J-STD-020D1 standards for reflow temperatures.

The soldering profile depends on various parameters necessitating a set up for each application. The data here is given only for guidance on solder reflow.

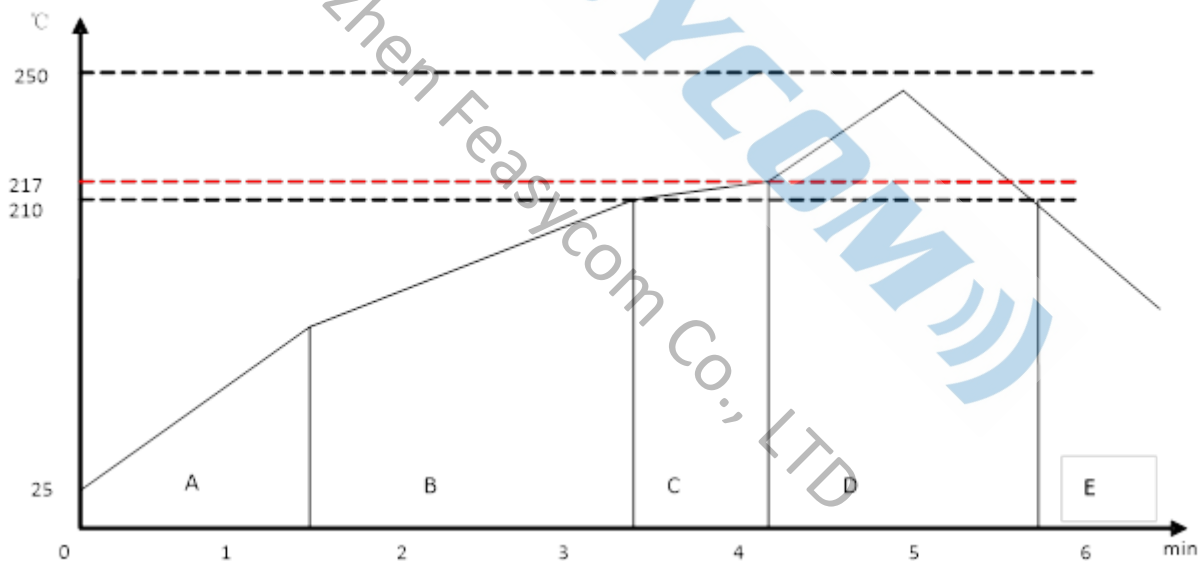


Figure 6-1: Typical Lead-free Re-flow

Pre-heat zone (A) — This zone raises the temperature at a controlled rate, typically 0.5 – 2 °C/s. The purpose of this zone is to preheat the PCB board and components to 120 ~ 150 °C. This stage is required to distribute the heat uniformly to the PCB board and completely remove solvent to reduce the heat shock to components.

Equilibrium Zone 1 (B) — In this stage the flux becomes soft and uniformly encapsulates solder particles and spread over PCB board, preventing them from being re-oxidized. Also with elevation of temperature and liquefaction of flux, each activator and rosin get activated and start eliminating oxide film formed on the surface of each solder particle and PCB board. **The temperature is recommended to be 150° to 210° for 60 to 120 second for this zone.**

Equilibrium Zone 2 (C) (optional) — In order to resolve the upright component issue, it is recommended to keep the temperature in 210 – 217 ° for about 20 to 30 second.

Reflow Zone (D) — The profile in the figure is designed for Sn/Ag3.0/Cu0.5. It can be a reference for other lead-free solder. The peak temperature should be high enough to achieve good wetting but not so high as to cause component discoloration or damage. Excessive soldering time can lead to intermetallic growth which can result in a brittle joint. The recommended peak temperature (Tp) is 230 ~ 250 °C. The soldering time should be 30 to 90 second when the temperature is above 217 °C.

Cooling Zone (E) — The cooling ate should be fast, to keep the solder grains small which will give a longer-lasting joint. **Typical cooling rate should be 4 °C.**

7 MECHANICAL DETAILS

7.1 Mechanical Details

- Dimension: 12mm(W) x 15mm(L) x 1.7mm(H) Tolerance: ±0.2mm
- Module size: 12mm X 15mm Tolerance: ±0.2mm
- Pad size: 1.7mmX0.5mm Tolerance: ±0.2mm
- Pad pitch: 0.9mm Tolerance: ±0.1mm
- **(Residual plate edge error: < 0.5mm)**

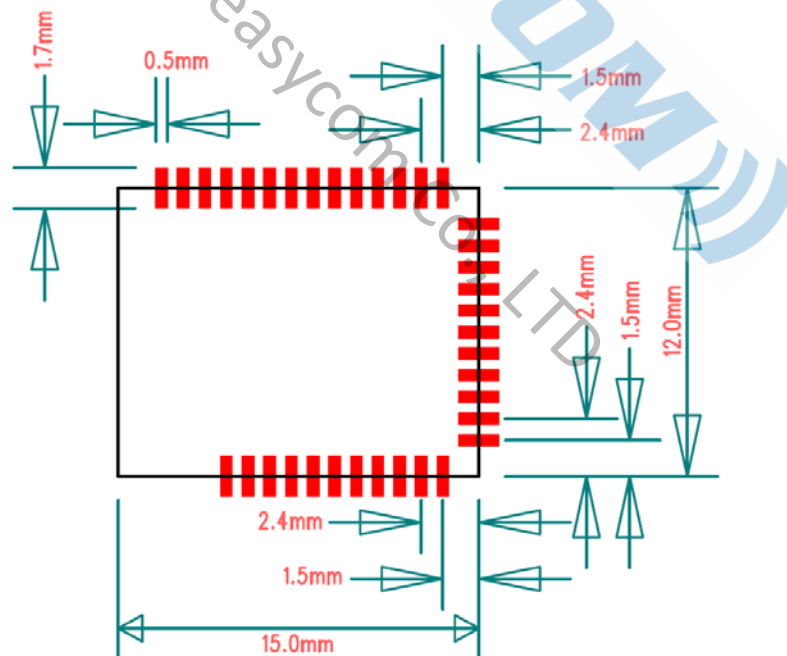


Figure 7-1: FSC-BT3431 footprint Layout Guide (Top View)

8 HARDWARE INTEGRATION SUGGESTIONS

8.1 Soldering Recommendations

FSC-BT3431 is compatible with industrial standard reflow profile for Pb-free solders. The reflow profile used is dependent on the thermal mass of the entire populated PCB, heat transfer efficiency of the oven and particular type of solder paste used. Consult the datasheet of particular solder paste for profile configurations.

Feasycom will give following recommendations for soldering the module to ensure reliable solder joint and operation of the module after soldering. Since the profile used is process and layout dependent, the optimum profile should be studied case by case. Thus following recommendation should be taken as a starting point guide.

8.2 Layout Guidelines (Internal Antenna)

It is strongly recommended to use good layout practices to ensure proper operation of the module. Placing copper or any metal near antenna deteriorates its operation by having effect on the matching properties. Metal shield around the antenna will prevent the radiation and thus metal case should not be used with the module. Use grounding vias separated max 3 mm apart at the edge of grounding areas to prevent RF penetrating inside the PCB and causing an unintentional resonator. Use GND vias all around the PCB edges.

The mother board should have no bare conductors or vias in this restricted area, because it is not covered by stop mask print. Also no copper (planes, traces or vias) are allowed in this area, because of mismatching the on-board antenna.

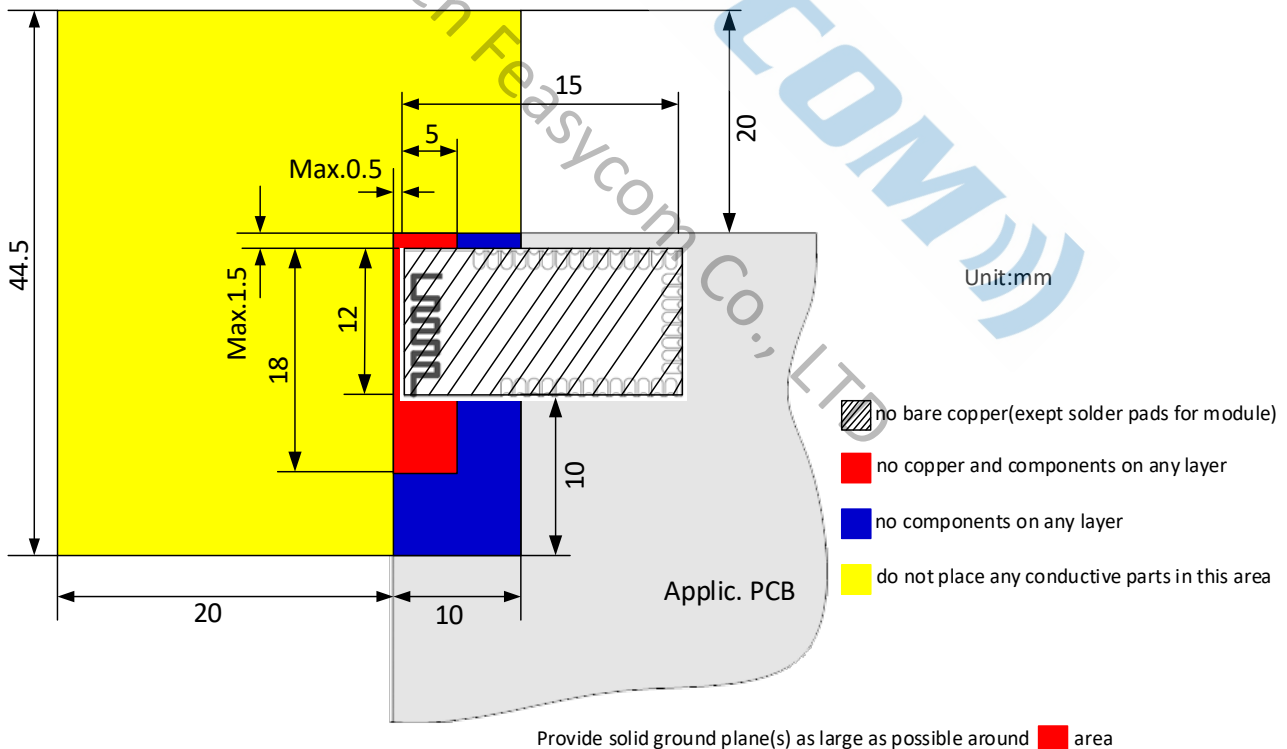


Figure 8-2: Restricted Area (Design schematic, for reference only. Unit: mm)

Following recommendations helps to avoid EMC problems arising in the design. Note that each design is unique and the following list do not consider all basic design rules such as avoiding capacitive coupling between signal lines. Following list is aimed to avoid EMC problems caused by RF part of the module. Use good consideration to avoid

problems arising from digital signals in the design.

Ensure that signal lines have return paths as short as possible. For example if a signal goes to an inner layer through a via, always use ground vias around it. Locate them tightly and symmetrically around the signal vias. Routing of any sensitive signals should be done in the inner layers of the PCB. Sensitive traces should have a ground area above and under the line. If this is not possible, make sure that the return path is short by other means (for example using a ground line next to the signal line).

8.3 Layout Guidelines (External Antenna)

Placement and PCB layout are critical to optimize the performances of a module without on-board antenna designs. The trace from the antenna port of the module to an external antenna should be 50Ω and must be as short as possible to avoid any interference into the transceiver of the module. The location of the external antenna and RF-IN port of the module should be kept away from any noise sources and digital traces. A matching network might be needed in between the external antenna and RF-IN port to better match the impedance to minimize the return loss.

As indicated in below, RF critical circuits of the module should be clearly separated from any digital circuits on the system board. All RF circuits in the module are close to the antenna port. The module, then, should be placed in this way that module digital part towards your digital section of the system PCB.

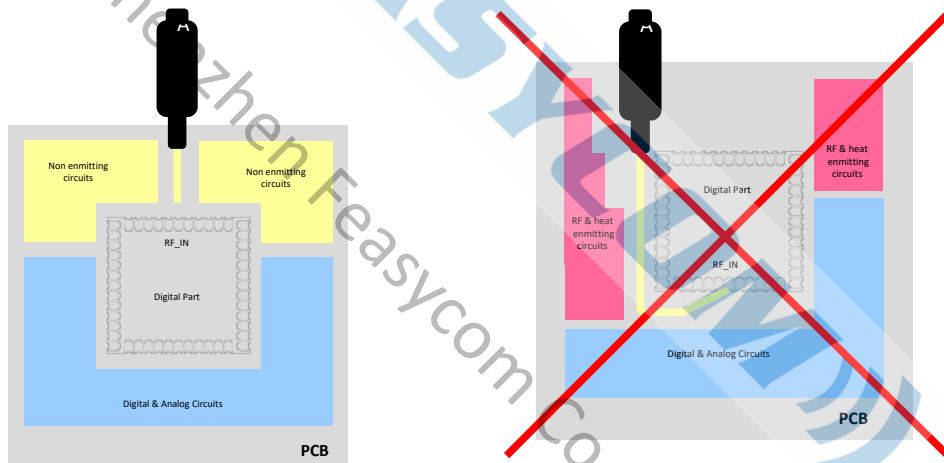


Figure 8-3: Placement the Module on a System Board

8.3.1 Antenna Connection and Grounding Plane Design

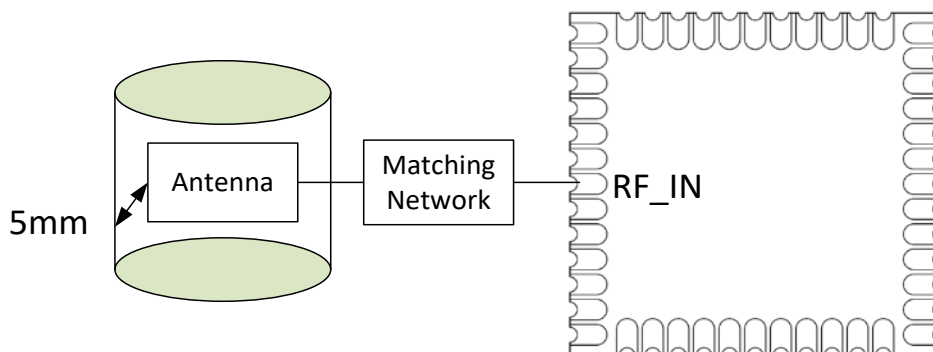


Figure 8-3-1: Leave 5mm Clearance Space from the Antenna

General design recommendations are:

- The length of the trace or connection line should be kept as short as possible.
- Distance between connection and ground area on the top layer should at least be as large as the dielectric thickness.
- Routing the RF close to digital sections of the system board should be avoided.
- To reduce signal reflections, sharp angles in the routing of the micro strip line should be avoided. Chamfers or fillets are preferred for rectangular routing; 45-degree routing is preferred over Manhattan style 90-degree routing.

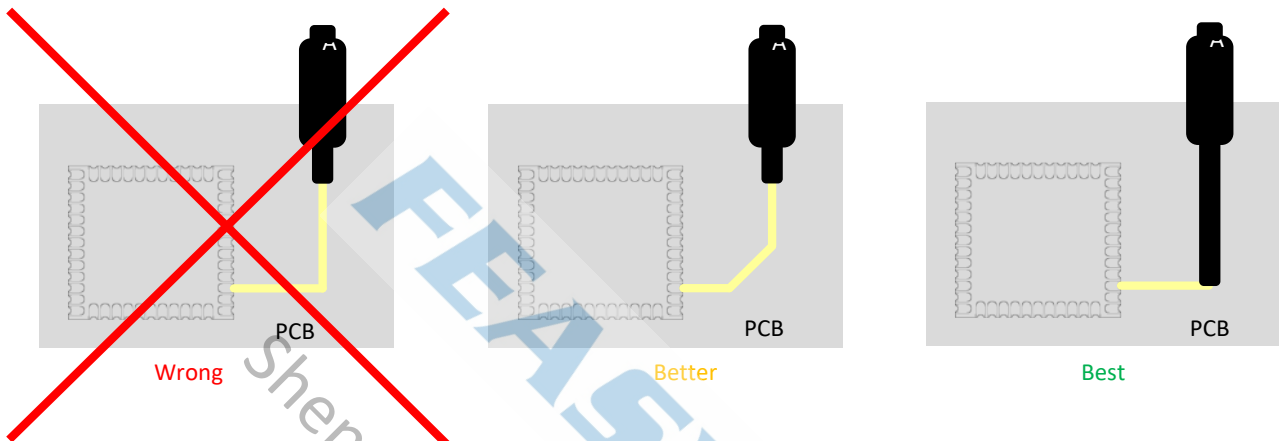


Figure 8-3-2: Recommended Trace Connects Antenna and the Module

- Routing of the RF-connection underneath the module should be avoided. The distance of the micro strip line to the ground plane on the bottom side of the receiver is very small and has huge tolerances. Therefore, the impedance of this part of the trace cannot be controlled.
- Use as many vias as possible to connect the ground planes.

9 PRODUCT PACKAGING INFORMATION

9.1 Default Packing



Figure 9-1: Tray Dimension: 140mm * 265mm Tray vacuum

9.2 Packing box (Optional)

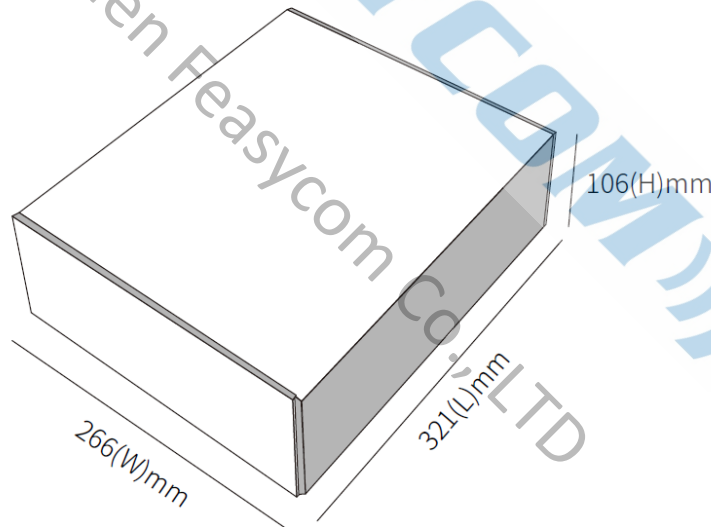


Figure 9-2: Packing box(Optional)

** If other packing is required, please confirm with the customer*

** Packing: 1000pcs per carton (Minimum packing quantity)*

** The outer packing size is for reference only, please refer to the actual size*

10 APPLICATION SCHEMATIC

