



# FSC-DB200

Bluetooth Development Board User Guide

V 1.0

## Copyright © 2013-2021 Feasycom Technology. All Rights Reserved.

Feasycom Technology reserves the right to make corrections, modifications, and other changes to its products, documentation and services at anytime. Customers should obtain the newest relevant information before placing orders. To minimize customer product risks, customers should provide adequate design and operating safeguards. Without written permission from Feasycom Technology, reproduction, transfer, distribution or storage of part or all of the contents in this document in any form is prohibited.

### Revision History

Version	Date	Notes	
1.0	2021/11/30	Initial Version	Marsh

### Contact Us

Shenzhen Feasycom Technology Co.,LTD

Email: sales@feasycom.com

Address: Rm 508, Building A, Fenghuang Zhigu, No.50, Tiezai Road, Xixiang, Baoan District, Shenzhen, 518102, China  
Tel: 86-755-27924639, 86-755-23062695

## 1. Introduction

### Overview

The FSC-DB200 development board integrates Type-C (including UART/USB/charging/power supply), audio input and output, microphone, lithium battery, buttons, reset buttons, 2.54mm pitch headers, status indicators, etc.

It can be used in conjunction with our serial port assistant and AT commands for functional testing, which is convenient for customers to familiarize themselves with our products, shorten the development cycle, and improve efficiency.

### Features

- All-in-one Type-C
- Universal 3.5 headphone jack input
- Universal 3.5 headphone jack output
- Built-in microphone, convenient for call test
- Lithium battery/USB powered
- Key control (switch on/off/pause playback/volume size/up and down music) and one-key reset
- 2.54mm spacing row of pins to facilitate DuPont wire connection
- Multi-function indicator light indicates status
- RF interface (non-standard), convenient to test RF signal
- Built-in USB to serial port chip
- Built-in headphone amplifier chip, which can drive 16/32 ohm headphone
- Reserved connection holes for Arduino board

### Application

- BT1026X
- BT1006X
- BT806X
- BT958

Picture as below showing:

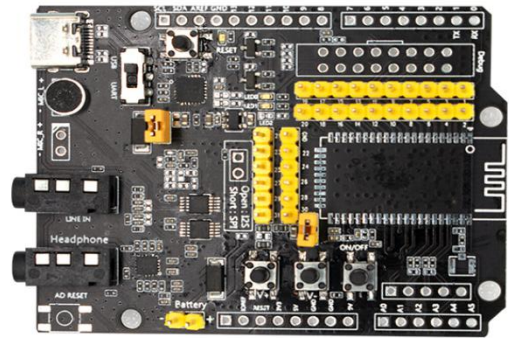
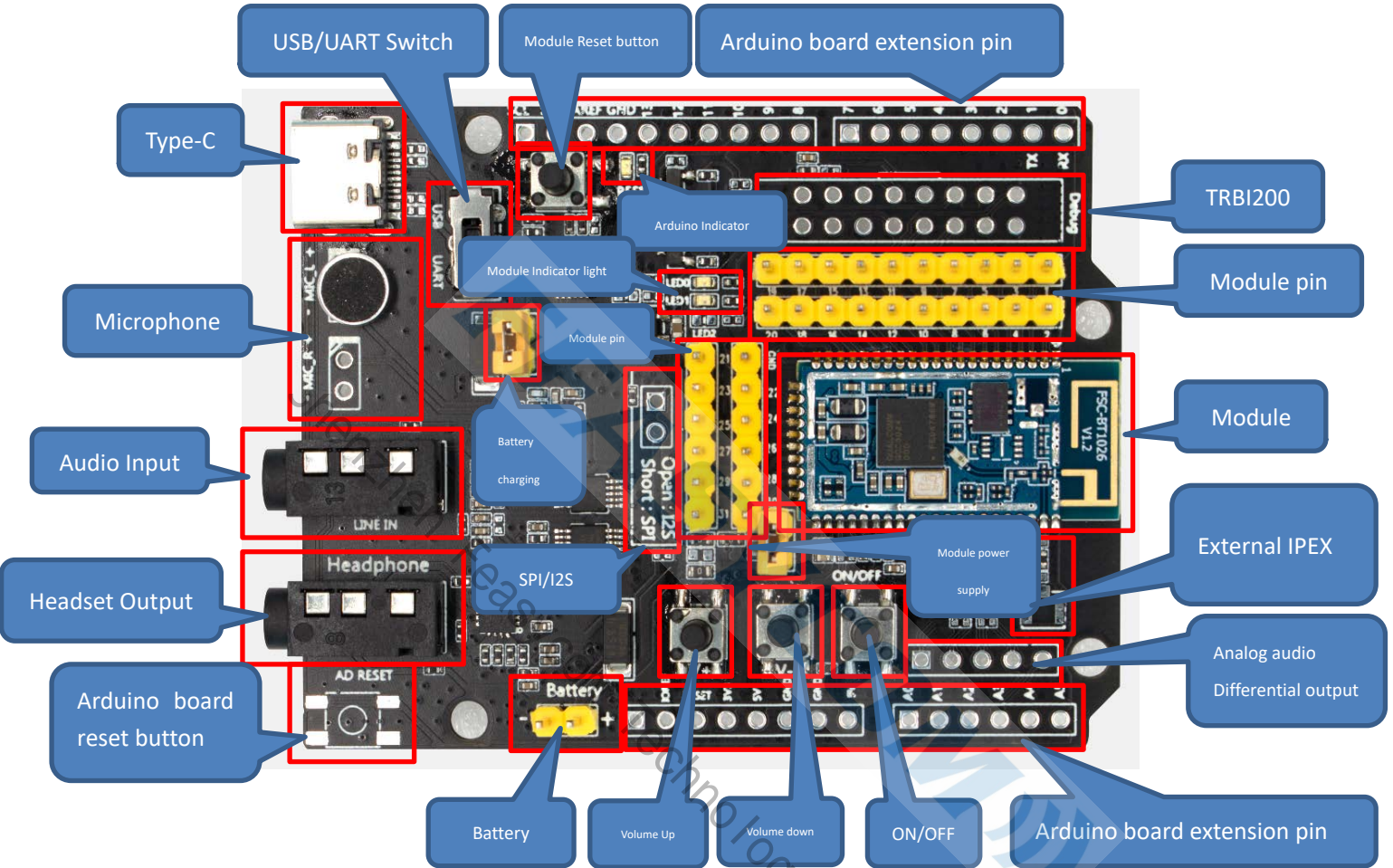


Figure 1: FSC-DB200 Picture

## 2. Functional specification

### 2.1 Layout



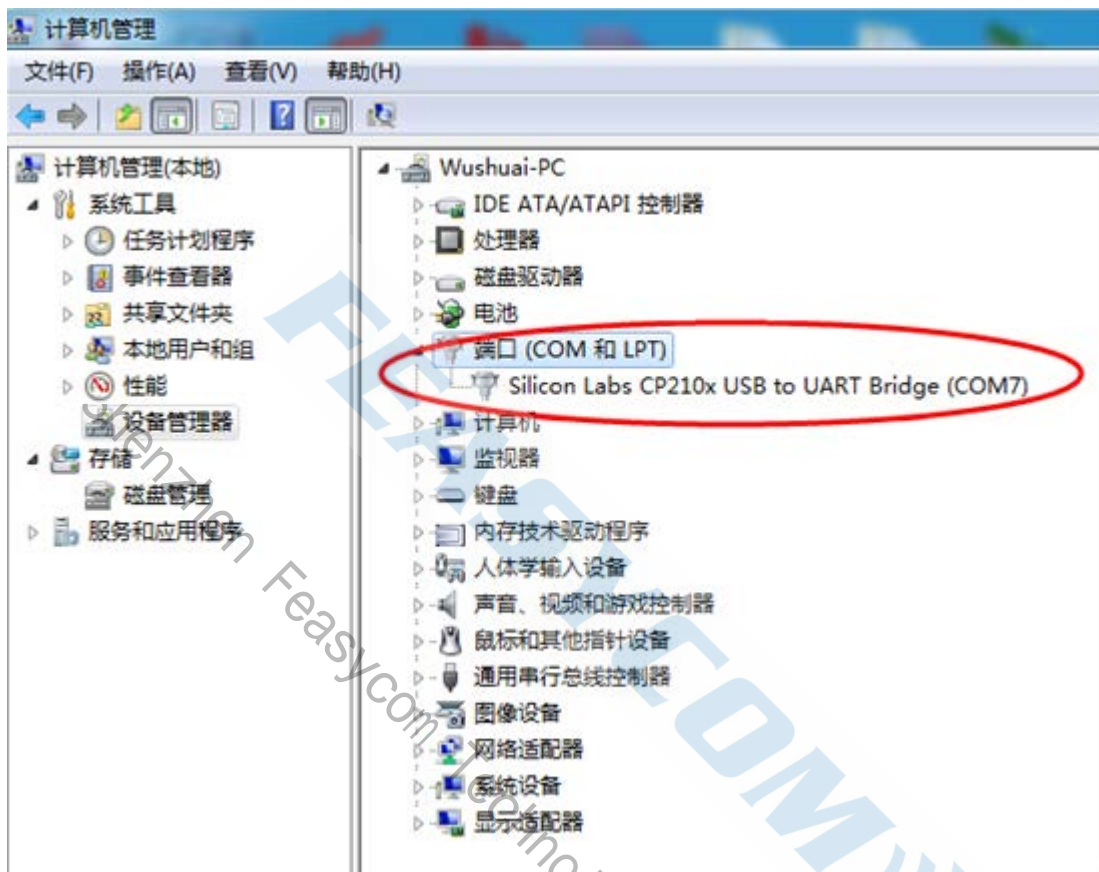
### 2.2 Functional specification

No.	Mark	Description	Remark
1	Type-C	Supply power to the module / communicate with the module / charge the battery through the module	*
2	USB/UART switch	Can choose UART to communicate with the module, or can choose the USB function of the module (not all modules have USB function)	
3	Microphone	HFP (used for incoming/making calls, the L channel is used by default), and applications that require a microphone	
4	Audio Input	Standard 3.5mm audio input	
5	Headset Output	Standard 3.5mm headset output, can drive 16/32 ohm speakers, maximum 60mW	
6	Arduino board reset button	Reset the extended Arduino board, the default is empty	
7	Battery	Lithium battery interface. 3.7V~4.2V. The voltage cannot be exceeded, otherwise the module will be damaged	

8	Volume up	Short press to increase the volume/long press to select the next song	
9	Volume down	Short press to decrease the volume/long press to select the previous song	
10	ON/OFF	Long press to turn on/off and play music: short press to pause/play. Incoming call: short press to answer the call, short press again to hang up	
11	Arduino board extension pin	Arduino board extension pin, default empty	
12	Arduino Indicator light	Arduino status indicator	
13	Analog audio Differential output	Extension pin, empty by default	
14	External IPEX	Module external antenna connection base	
15	Module	Support BT806/1006/1026X/958 etc.	
16	Module pin	Module pin	
17	TRBI200	TRBI200 burner interface, empty by default	
18	Module reset button	Short press to reset the module	
19	Battery charging	Charge the battery under short-circuit condition, module upgrade/fix frequency	*
20	Module power supply	Short circuit: Type-C to supply power to the module, disconnection: Type-C to supply power to the module, or to charge the battery when Type-C has input voltage and "battery charging/module upgrade pin" is short-circuited	*
21	SPI/I2S	Short circuit: SPI, disconnect: I2S to choose according to the function of the module	
22	Module Indicator light	The blue light flashes quickly when pairing is in progress, and the light keeps on means it is connected. The green light is on, SPP/BLE connection is successful	
<p><b>Note: The three combinations marked * can be used to charge the battery, and the maximum current is 200mA. In general, this function is turned off by default. Not all modules support battery charging.</b></p>			

### 3. Driver installation and serial port assistant

3.1 The Win7 system needs to install the serial port driver, which can be viewed in the computer device manager (Win10/11 may not be required). (You can install a serial port tool by a third party, plug in the USB to identify it. Or contact us)

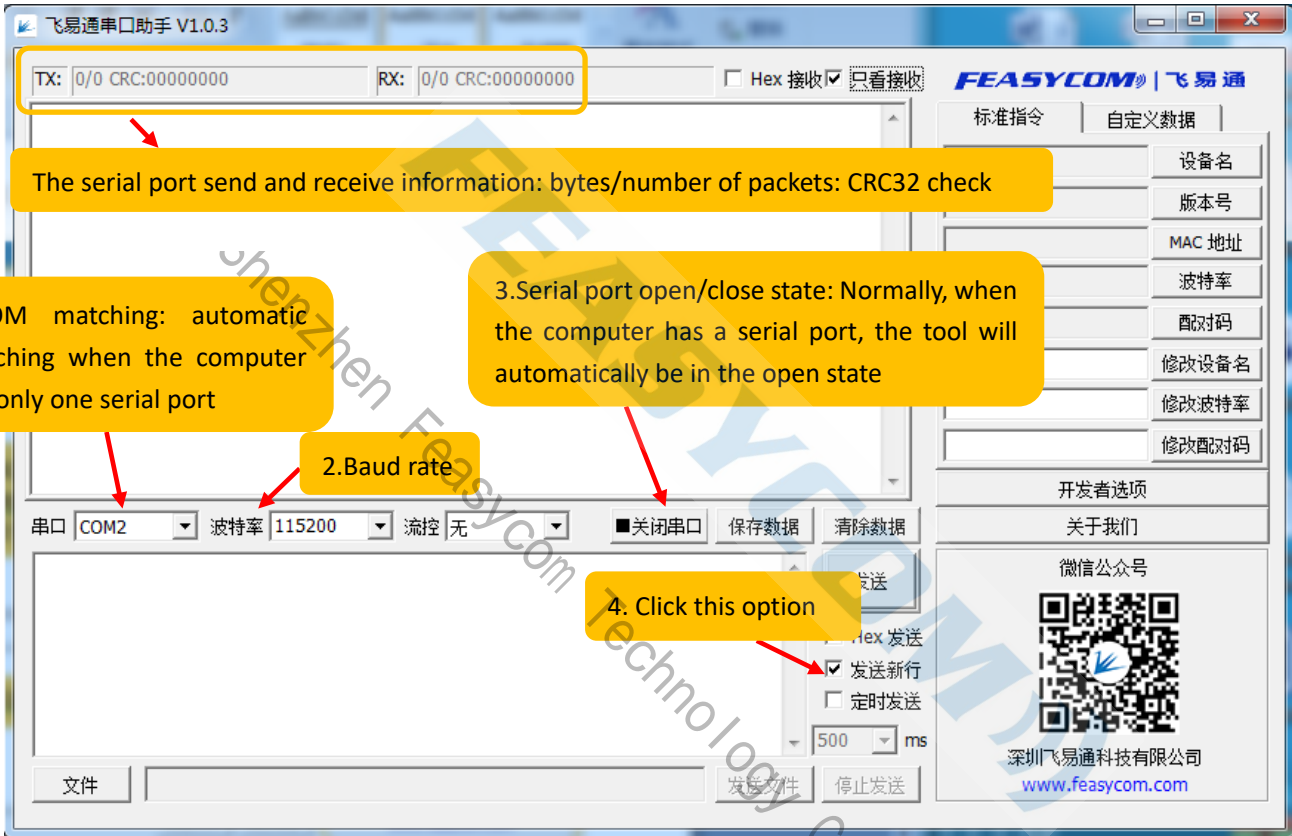


### 3.2 Serial port assistant installation and use



1, Double click

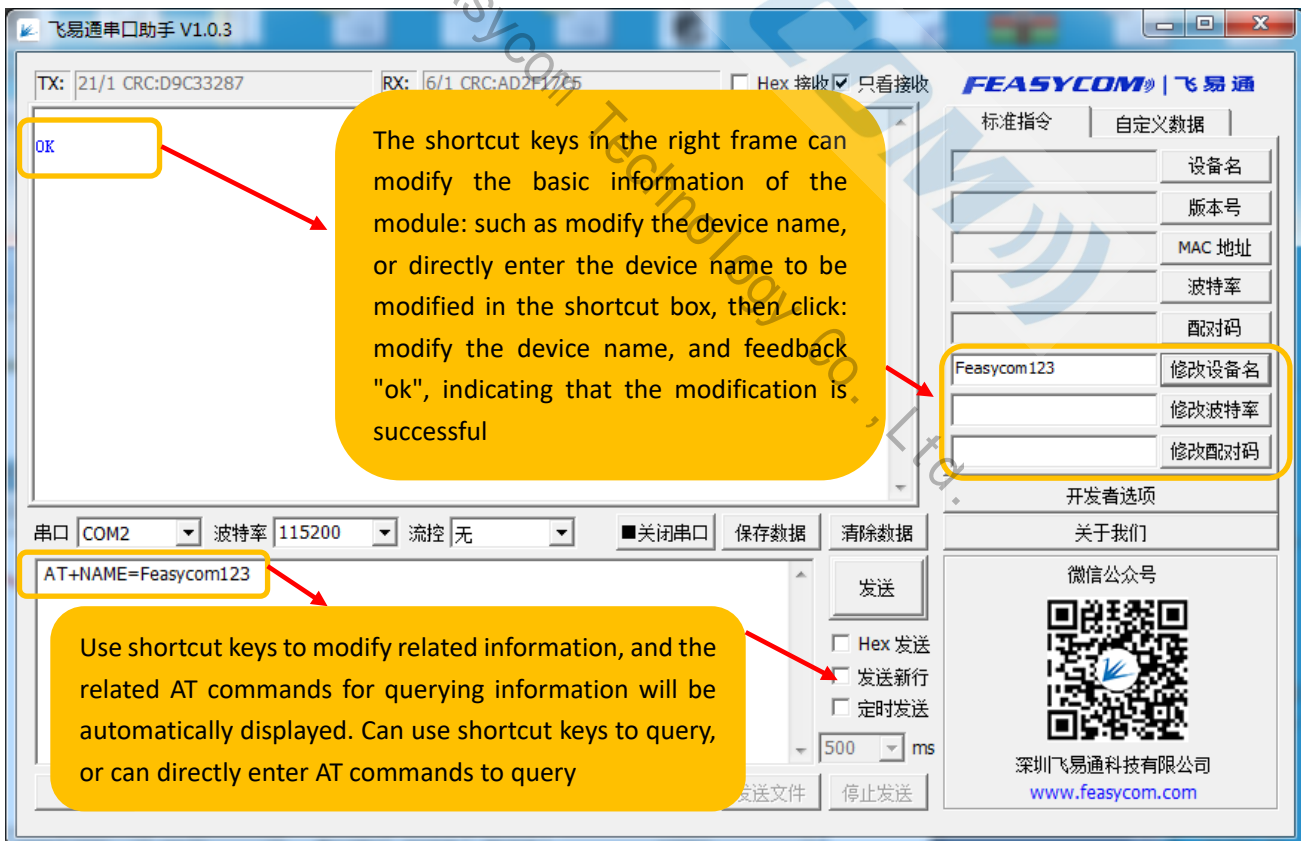
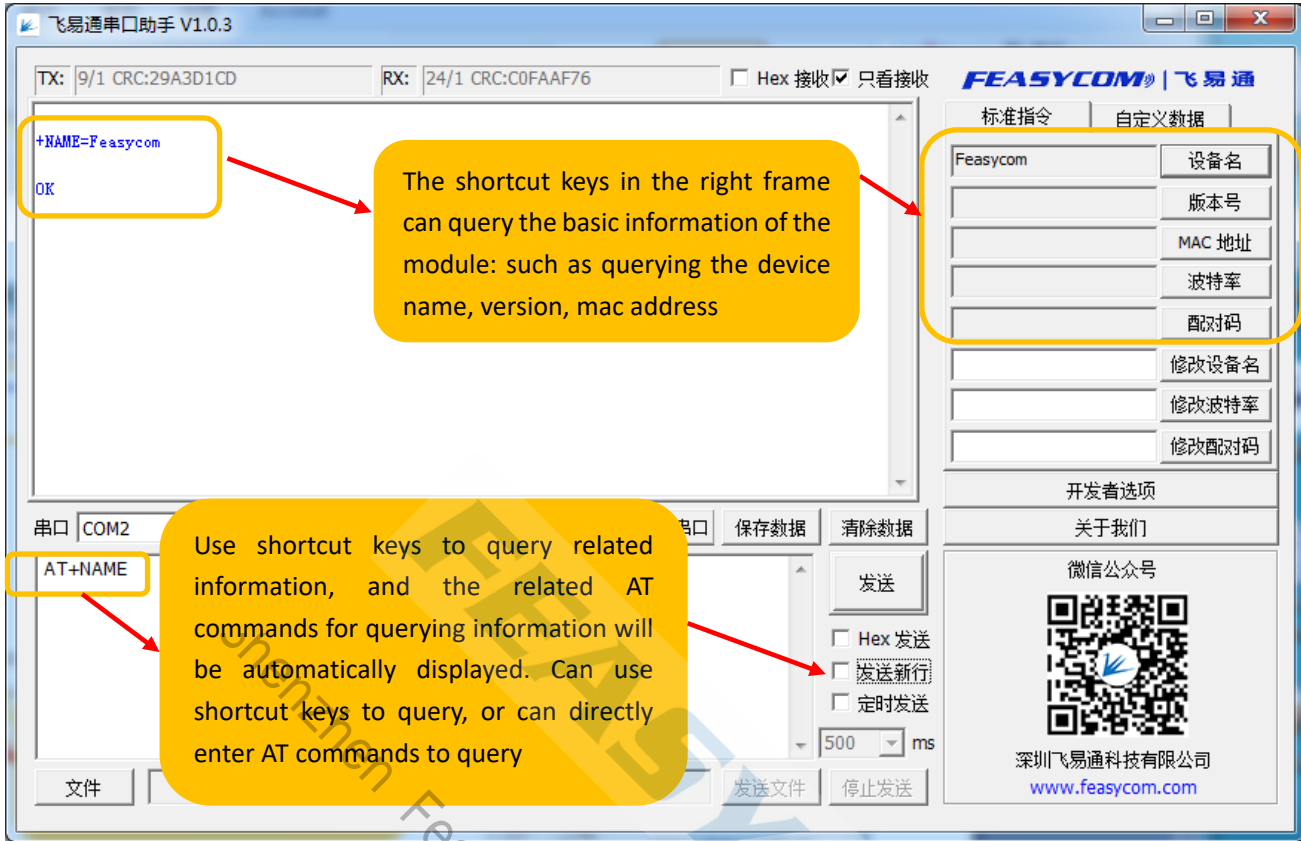
2, The interface description is as follows



The screenshot shows the 'Feasycom serial port assistant V1.0.3' software interface. It features a top status bar with TX and RX information, a central text area for data, and a right-hand panel with various settings and a QR code. Annotations in yellow boxes provide the following information:

- 1.COM matching:** automatic matching when the computer has only one serial port (points to the COM2 dropdown).
- 2.Baud rate:** (points to the 115200 dropdown).
- 3.Serial port open/close state:** Normally, when the computer has a serial port, the tool will automatically be in the open state (points to the '关闭串口' button).
- 4. Click this option:** (points to the '发送' button).

Other interface elements include TX: 0/0 CRC:00000000, RX: 0/0 CRC:00000000, 'Hex 接收' and '只看接收' checkboxes, '标准指令' and '自定义数据' tabs, fields for device name, version, MAC address, baud rate, and parity, and a '开发者选项' section with a QR code and the company name '深圳飞易通科技有限公司'.





# 4. 参考原理图

