



FSC-BT677B

Bluetooth 5.2 & 0dBm maximum power output

Wireless MCU Module Datasheet

Version 1.2

Copyright © 2013-2019 Feasycom Technology. All Rights Reserved.

Feasycom Technology reserves the right to make corrections, modifications, and other changes to its products, documentation and services at anytime. Customers should obtain the newest relevant information before placing orders. To minimize customer product risks, customers should provide adequate design and operating safeguards. Without written permission from Feasycom Technology, reproduction, transfer, distribution or storage of part or all of the contents in this document in any form is prohibited.

Revision History

Version	Date	Notes	
1.0	2022/06/15	Initial Version	MO
1.1	2022/06/29	Modify some descriptions	MO
1.2	2022/07/6	Perfect frame diagram and module image and so on	MO

Contact Us

Shenzhen Feasycom Co.,LTD

Email: sales@feasycom.com

Address: Rm 508, Building A, Fenghuang Zhigu, No.50, Tiezai Road, Xixiang, Baoan District, Shenzhen, 518102, China

Tel: 86-755-27924639, 86-755-23062695

Contents

1. INTRODUCTION	5
2. GENERAL SPECIFICATION	6
3. HARDWARE SPECIFICATION	7
3.1 BLOCK DIAGRAM AND PIN DIAGRAM	7
3.2 PIN DEFINITION DESCRIPTIONS	8
4. PHYSICAL INTERFACE	9
4.1 POWER SUPPLY	9
4.2 UNIVERSAL SYNCHRONOUS/ASYNCHRONOUS RECEIVER/TRANSMITTER (USART)	10
4.3 RESET	10
4.4 GENERAL PURPOSE ANALOG IO	10
4.5 GENERAL PURPOSE DIGITAL IO	10
4.6 RF INTERFACE	10
4.7 SERIAL INTERFACES	10
4.7.1 UART	10
4.8 COUNTERS/TIMERS AND PWM	11
4.8.1 Timer/Counter (TIMER)	11
4.8.2 Wide Timer/Counter (WTIMER)	12
4.8.3 Ultra Low Power Wake-up Timer (CRYOTIMER)	12
5. ELECTRICAL CHARACTERISTICS	12
5.1 ABSOLUTE MAXIMUM RATINGS	12
5.2 RECOMMENDED OPERATING CONDITIONS	13
5.3 GENERAL-PURPOSE I/O (GPIO)	13
5.4 ANALOG CHARACTERISTICS	13
5.7 VOLTAGE MONITOR (VMON)	14
5.8 LOW-FREQUENCY CRYSTAL OSCILLATOR (LFXO)	15
5.9 WAKE UP TIMES	15
5.10 POWER CONSUMPTIONS	16
5.11 THERMAL CHARACTERISTICS	16
6. MSL & ESD	17
7. RECOMMENDED TEMPERATURE REFLOW PROFILE	17
8. MECHANICAL DETAILS	18
8.1 MECHANICAL DETAILS	18
9. HARDWARE INTEGRATION SUGGESTIONS	19
9.1 SOLDERING RECOMMENDATIONS	19
9.2 LAYOUT GUIDELINES (INTERNAL ANTENNA)	19
9.3 LAYOUT GUIDELINES (EXTERNAL ANTENNA)	20
9.3.1 Antenna Connection and Grounding Plane Design	21



10. PRODUCT PACKAGING INFORMATION.....	22
10.1 DEFAULT PACKING	22
10.2 PACKING BOX(OPTIONAL)	23
11. APPLICATION SCHEMATIC	24

FEASYCOM
Shenzhen Feasycom Co.,LTD

1. INTRODUCTION

Overview

FSC-BT677B use a Bluetooth low-power chip includes a 38.4 MHz ARM Cortex-M33 microcontroller which delivers a maximum power output of 0 dBm. The chip's maximum receive sensitivity is -98 (1 Mbps 2 GFSK) dBm, supporting a complete DSP instruction set and floating point unit for faster calculations. Low-power Gecko technology, support fast wake-up time and energy-saving modes. The BT677B software and SDK support for Bluetooth Low Energy (BLE), Bluetooth 5.2 and Bluetooth mesh networks. The module also support for proprietary wireless protocol development.

FSC-BT677B combines an energy-friendly MCU with a highly integrated radio transceiver. The module is suited for any battery operated application other systems requiring high performance and low energy consumption.

Features

- 2.4-GHz RF Transceiver Compatible With Bluetooth low energy (BLE) 5.2 standard
- Integrate MCU to execute Bluetooth protocol stack.
- Postage stamp sized form,
- Low power
- Class 2 support(up to 0 dBm)
- The default UART Baud rate is 115.2Kbps and can support from 1200bps up to 921.6Kbps.
- UART, 12-bit ADC@ 1 Msps, 16-bit @ 76.9 ksps data connection interfaces.
- Support the OTA upgrade.
- Bluetooth stack profiles support: LE HID, and all BLE protocols.
- PWM
- An external 32.768 kHz crystal oscillator provides accurate timing reference for low energy modes

Application

- IoT Sensors and End Devices
- Health & Medical Devices
- Home Automation
- Accessories Devices
- Human Interface Devices
- Metering Devices
- Commercial and Retail Lighting and Sensing

Low System Energy Consumption

- 3.4 mA radio transmit current @ 0 dBm output power
- 2.5 mA radio receive current
- 3.6 mA RX current (1 Mbps GFSK)
- 4.1 mA TX current @ 0 dBm output power
- 26 μ A/MHz in Active Mode (EM0) at 38.4 MHz
- 1.40 μ A EM2 DeepSleep current (32 kB RAM retention and RTC running from LFXO)
- 1.75 μ A EM2 DeepSleep current (32 kB RAM retention and RTC running from Precision LFRCO)
- 0.17 μ A EM4 current

Module picture as below showing

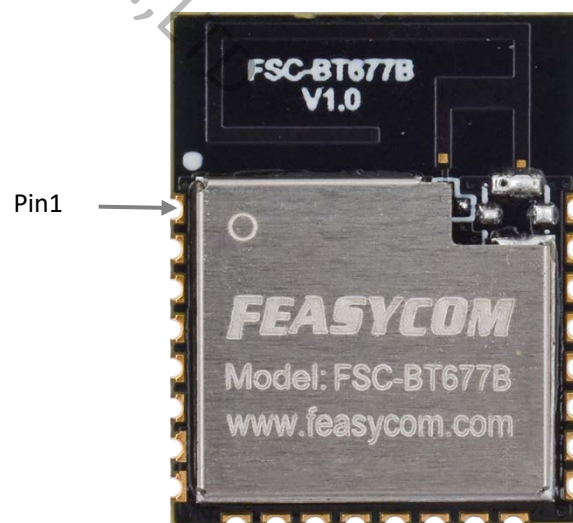


Figure 1: FSC-BT677B Picture

2. General Specification

Table 1: General Specifications

Categories	Features	Implementation
Wireless Specification	Chip model	SILICON LABS EFR32BG22
	Bluetooth Version	Bluetooth low energy (BLE)5.2 standard
	BT5.2 specification	Support: 2M PHY, LE Long Range, Advertising Extensions
	Frequency	2.4 - 2.4835 GHz
	Transmit Power	0 dBm (Maximum)
	Receive Sensitivity	-98 dBm (Typical)
	Modulation	GFSK
Host Interface and Peripherals		TX, RX
		General Purpose I/O
	UART Interface	Default 115200,N,8,1 Baudrate support from 1200 to 921600bps 5, 6, 7, 8 data bit character
		16(maximum – configurable) lines
	GPIO	O/P drive strength (4 mA) Pull-up resistor (40 KΩ) control Read pin-level
	I2C Interface	1 (configurable from GPIO total). Up to 400 kbps
		Analog input voltage range: 0V ~ 3.3V
	ADC Interface	Supports single 12/16-bit SAR ADC conversion 8 channels (configured from GPIO total) Up to 1 Msps conversion
		4 General-Purpose Timer Modules
	PWM	Four General-Purpose Timer Modules (Eight 16-Bit or Four 32-Bit Timers, PWM Each)
	Profiles	Class Bluetooth
Bluetooth Low Energy		GATT Client & Peripheral - Any Custom Services BT5.2 Specifications MFI Support
Maximum Connections	Classic Bluetooth	No Support
	Bluetooth Low Energy	1Clients
FW upgrade		Over the Air
		Xds
Supply Voltage	Supply	1.8V ~ 3.8V
Power Consumption		Max Peak Current(TX Power @ 0dBm TX): ~20mA
		Standby Doze (Wait event): ~2mA
		Deep Sleep: ~2uA(RTC Running and RAM/CPU Retention)
Physical	Dimensions	16.5mm X 13mm X 2.3mm; Pad Pitch 1.27mm
Environmental	Operating	-40°C to +85°C
	Storage	-50°C to +150°C

Miscellaneous	Lead Free	Lead-free and RoHS compliant
	Warranty	One Year
Humidity		10% ~ 90% non-condensing
MSL grade:		MSL 3
ESD grade:	Human Body Model	All pins: ±2500V
	Charged device model	RF pins/ Non-RF pins: ±750V

3. HARDWARE SPECIFICATION

3.1 Block Diagram and PIN Diagram

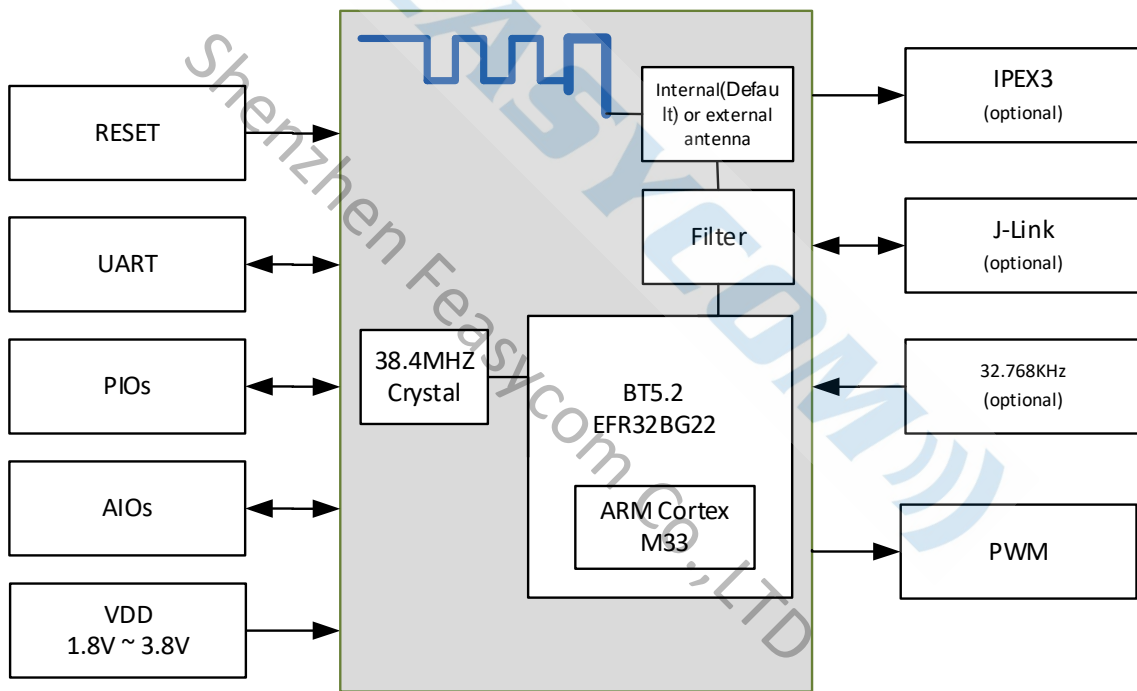


Figure 2: Block Diagram

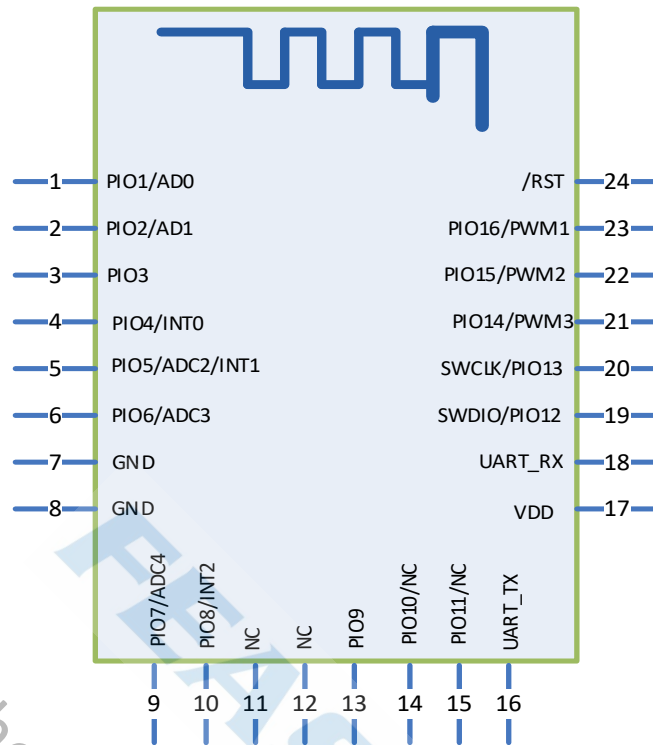


Figure 3: FSC-BT677B PIN Diagram (Top View)

3.2 PIN Definition Descriptions

Table 2: Pin definition

Pin	Pin Name	Type	Pin Descriptions	Notes
1	PIO1/AD0	I/O	Programmable input/output line Alternative Function 1: Analog to digital converter ADC0 external	
2	PIO2/AD1	I/O	Programmable input/output line Alternative Function 1: Analog to digital converter ADC1 external	
3	PIO3	I/O	Programmable input/output line	
4	PIO4/INT0	I/O	Programmable input/output line Alternative Function 1: External interrupt Wake up module	,
5	PIO5/ADC2/INT1	I/O	Programmable input/output line Alternative Function1: Analog to digital converter ADC2 external Alternative Function2: External interrupt Wake up module	
6	PIO6/ADC3	I/O	Programmable input/output line Alternative Function1: Analog to digital converter ADC3 external	
7,8	GND	VSS	Power Ground	
9	PIO7/ADC4	I/O	Programmable input/output line Alternative Function1: Analog to digital converter ADC4 external	

10	PIO8/INT2	I/O	Programmable input/output line Alternative Function 1: External interrupt Wake up module
11	NC	NC	
12	NC	NC	
13	PIO9	I/O	Programmable input/output line
14	PIO10/NC	I/O	Programmable input/output line Alternative Function: NC-When using 32.768k crystal, This PIN is NC
15	PIO11/NC	I/O	Programmable input/output line Alternative Function: NC-When using 32.768k crystal, This PIN is NC
16	UART_TX	O	UART Data output
17	VDD	Vdd	Power supply voltage 3.3V
18	UART_RX	I	UART Data input
19	SWDIO/PIO12	I/O	Debugging through the data line(Default) Alternative Function: Programmable input/output line
20	SWCLK/PIO13	I/O	Debugging through the clk line(Default) Alternative Function: Programmable input/output line
21	PIO14/PWM1	I/O	Programmable input/output line Alternative Function: PWM1 out put
22	PIO15/PWM2	I/O	Programmable input/output line Alternative Function: PWM2 out put
23	PIO16/PWM3	I/O	Programmable input/output line Alternative Function: PWM3 out put
24	/RST	I	Reset input, active low. To apply an external reset source to this pin, it is required to only drive this pin low during reset, and let the internal pull-up ensure that reset is released.

Module Pin Notes:

Note 1 Can be connected to a 32.768KHz crystal, when the MCU sleeps, the Crystal can provide periodic Wakeup events and PRS signals which can be used to wake up peripherals from any energy mode.

4. PHYSICAL INTERFACE

4.1 Power Supply

The transient response of the regulator is important. If the power rails of the module are supplied from an external voltage source, the transient response of any regulator used should be 20µs or less. It is essential that the power rail recovers quickly.

*** Please supply the module with a current supply greater than 200mA.

4.2 Universal Synchronous/Asynchronous Receiver/Transmitter (USART)

The Universal Synchronous/Asynchronous Receiver/Transmitter is a flexible serial I/O module. It supports full duplex asynchronous UART communication with hardware flow control as well as RS-485.

4.3 Reset

A wide range of reset sources are available, including several power supply monitors, pin reset, software controlled reset, core lockup reset, and watchdog reset.

There is a pull-up resistor inside the module, no need to pull up on the outside.

4.4 General Purpose Analog IO

The ADC is a Successive Approximation Register (SAR) architecture, with a resolution of up to 12 bits at up to 1 Msps. The output sample resolution is configurable and additional resolution is possible using integrated hardware for averaging over multiple samples.

The ADC includes integrated voltage references and an integrated temperature sensor. Inputs are selectable from a wide range of sources, including pins configurable as either single-ended or differential.

4.5 General Purpose Digital IO

This module has up to 16 General Purpose Input/Output pins. Each GPIO pin can be individually configured as either an output or input. More advanced configurations including open-drain, open-source, and glitch-filtering can be configured for each individual GPIO pin. The GPIO pins can be overridden by peripheral connections, like SPI communication. Each peripheral connection can be routed to several GPIO pins on the device. The input value of a GPIO pin can be routed through the Peripheral Reflex System to other peripherals. The GPIO subsystem supports asynchronous external pin interrupts.

4.6 RF Interface

The Bluetooth module without antenna, you need an external antenna to achieve the best wireless performance, expanded wireless coverage.

- The user can connect a 50 ohm antenna directly to the RF port.
- 2400–2483.5 MHz Bluetooth 5.2;
- TX output power of 0dBm (Maximum).
- Receiver to achieve maximum sensitivity -98dBm @ 1 Mbps GFSK.

4.7 Serial Interfaces

4.7.1 UART

FSC-BT677B provides one channels of Universal Asynchronous Receiver/Transmitters(UART)(Full-duplex asynchronous communications). The UART Controller performs a serial-to-parallel conversion on data received from the peripheral

and a parallel-to-serial conversion on data transmitted from the CPU. Each UART Controller channel supports ten types of interrupts.

This is a standard UART interface for communicating with other serial devices. The UART interface provides a simple mechanism for communicating with other serial devices using the RS232 protocol.

When the module is connected to another digital device, UART_RX and UART_TX transfer data between the two devices.

This module output is at 3.3V CMOS logic levels (tracks VCC). Level conversion must be added to interface with an RS-232 level compliant interface.

Table 3: Possible UART Settings

Parameter	Possible Values	
Baudrate	Minimum	1200 baud ($\leq 2\%$ Error)
	Standard	115200bps($\leq 1\%$ Error)
	Maximum	921600bps($\leq 1\%$ Error)
Flow control	None	
Parity	None, Odd or Even	
Number of stop bits	1 /1.5/2	
Bits per channel	5/6/7/8	

When connecting the module to a host, please make sure to follow .

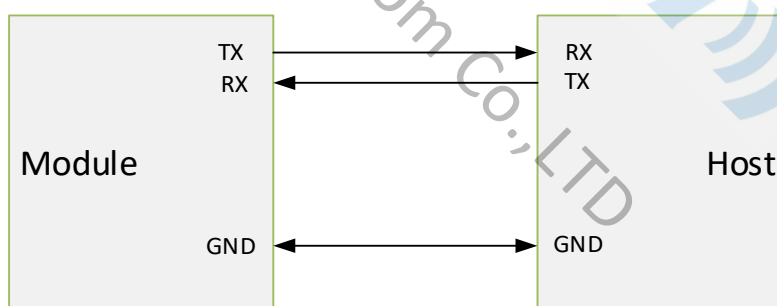


Figure 4: UART Connection

4.8 Counters/Timers and PWM

4.8.1 Timer/Counter (TIMER)

TIMER peripherals keep track of timing, count events, generate PWM outputs and trigger timed actions in other peripherals through the PRS system. The core of each TIMER is a 16-bit counter with up to 4 compare/capture channels. Each channel is configurable in one of three modes. In capture mode, the counter state is stored in a buffer at a selected input event. In compare mode, the channel output reflects the comparison of the counter to a programmed

threshold value. In PWM mode, the TIMER supports generation of pulse-width modulation (PWM) outputs of arbitrary waveforms defined by the sequence of values written to the compare registers, with optional dead-time insertion available in timer unit TIMER_0 only.

4.8.2 Wide Timer/Counter (WTIMER)

WTIMER peripherals function just as TIMER peripherals, but are 32 bits wide. They keep track of timing, count events, generate PWM outputs and trigger timed actions in other peripherals through the PRS system. The core of each WTIMER is a 32-bit counter with up to 4 compare/capture channels. Each channel is configurable in one of three modes. In capture mode, the counter state is stored in a buffer at a selected input event. In compare mode, the channel output reflects the comparison of the counter to a programmed threshold value. In PWM mode, the WTIMER supports generation of pulse-width modulation (PWM) outputs of arbitrary waveforms defined by the sequence of values written to the compare registers, with optional dead-time insertion available in timer unit WTIMER_0 only.

4.8.3 Ultra Low Power Wake-up Timer (CRYOTIMER)

The CRYOTIMER is a 32-bit counter that is capable of running in all energy modes. It can be clocked by either the 32.768 kHz crystal oscillator (LFXO), the 32.768 kHz RC oscillator (LFRCO), or the 1 kHz RC oscillator (ULFRCO). It can provide periodic Wakeup events and PRS signals which can be used to wake up peripherals from any energy mode. The CRYOTIMER provides a wide range of interrupt periods, facilitating flexible ultra-low energy operation.

5. ELECTRICAL CHARACTERISTICS

5.1 Absolute Maximum Ratings

Absolute maximum ratings for supply voltage and voltages on digital and analogue pins of the module are listed below. Exceeding these values causes permanent damage.

The average PIO pin output current is defined as the average current value flowing through any one of the corresponding pins for a 100mS period. The total average PIO pin output current is defined as the average current value flowing through all of the corresponding pins for a 100mS period. The maximum output current is defined as the value of the peak current flowing through any one of the corresponding pins.

Table 4: Absolute Maximum Rating

Parameter	Min	Max	Unit
Storage temperature range	-50	150	°C
Voltage on any supply pin	-0.3	3.8	V
Voltage ramp rate on any supply pin		1	V / μ s
DC voltage on any GPIO pin	Standard GPIO pins	IOVDD+0.3	V
Voltage on HFXO pins	-0.3	1.4	V
Total current into VDD power lines	- Source	200	mA
Total current into VSS ground lines	- Sink	200	mA

5.2 Recommended Operating Conditions

Table 5: Recommended Operating Conditions

Parameter	Min	Type	Max	Unit
Operating ambient temperature range	-40	25	+85	°C
VREGVDD operating supply voltage	1.8 ¹	3.3	3.8	V
VREGVDD current DCDC in bypass, $T \leq 85$ °C			200	mA

1, DCDC not in use. DVDD externally shorted to VREGVDD

5.3 General-Purpose I/O (GPIO)

Table 6: General-Purpose I/O (GPIO)

Parameter	Min	Type	Max	Unit
V_{IL} - Input low voltage			IOVDD*0.3	V
V_{IH} - Input high voltage	IOVDD*0.7			V
V_{OH} - Output high voltage relative to IOVDD				
Sourcing 3 mA, IOVDD ≥ 3 V, DRIVESTRENGTH ¹ = WEAK	IOVDD*0.8			V
Sourcing 1.2 mA, IOVDD ≥ 1.62 V, DRIVESTRENGTH ¹ = WEAK	IOVDD*0.6			V
Sourcing 20 mA, IOVDD ≥ 3 V, DRIVESTRENGTH ¹ = STRONG	IOVDD*0.8			V
Sourcing 8 mA, IOVDD ≥ 1.62 V, DRIVESTRENGTH ¹ = STRONG	IOVDD*0.6			V
V_{OL} - Output low voltage relative to IOVDD				
Sourcing 3 mA, IOVDD ≥ 3 V, DRIVESTRENGTH ¹ = WEAK			IOVDD*0.2	
Sourcing 1.2 mA, IOVDD ≥ 1.62 V, DRIVESTRENGTH ¹ = WEAK			IOVDD*0.4	
Sourcing 20 mA, IOVDD ≥ 3 V, DRIVESTRENGTH ¹ = STRONG			IOVDD*0.2	
Sourcing 8 mA, IOVDD ≥ 1.62 V, DRIVESTRENGTH ¹ = STRONG			IOVDD*0.4	
I_{IOLEAK} - Input leakage current				
All GPIO except LFXO pins, GPIO \leq IOVDD, $T \leq 85$ °C		0.1	30	nA
LFXO Pins, GPIO \leq IOVDD, $T \leq 85$ °C		0.1	50	nA
$I_{5VTOLLEAK}$ - Input leakage current on 5VTOL pads above IOVDD		3.3	15	uA
IOVDD < GPIO \leq IOVDD + 2 V				
R_{PUD} - I/O pin pull-up/pull-down resistor	30	40	65	K Ω

5.4 Analog Characteristics

Table 7: Specifications of 12-bit SARADC

(Specified at 1 Msps, ADCCLK = 16 MHz, BIASPROG = 0, GPBIASACC = 0, unless otherwise indicated)

Parameter	Min	Type	Max	Unit
$V_{RESOLUTION}$ - Resolution	6		12	Bits
V_{ADCIN} - Input voltage range				

	Single ended		VFS	V	
	Differential	-VFS/2	VFS/2	V	
$V_{ADCREFIN_P}$	Input range of external reference voltage, single ended and differential	1	3.3	V	
$PSRR_{ADC}$	Power supply rejection (At DC)		80	dB	
$CMRR_{ADC}$	Analog input common mode rejection ratio (At DC)		80	dB	
f_{ADCCLK}	ADC clock frequency		16	MHz	
$f_{ADCRATE}$	Throughput rate		1	Msp/s	
$SNDR_{ADC}$	SNDR at 1Msp/s and $f_{IN} = 10\text{kHz}$				
	Internal reference, differential measurement	58		dB	
	External reference, differential measurement	67	68	dB	
$SFDR_{ADC}$	Spurious-free dynamic range (SFDR) 1 MSamples/s, 10 kHz full-scale sine wave		75	bits	
DNL_{ADC}	Differential non-linearity(DNL) 12 bit resolution, No missing codes	-1	2	LSB	
INL_{ADC}	Integral non-linearity (INL), End point method 12 bit resolution	-6	6	LSB	
$V_{ADCOFFSETERR}$	Offset error	-3	0	3	LSB
$V_{ADCGAIN}$	Gain error in ADC				
	Using internal reference		-0.2	3.5	%
	Using external reference		-1		%
V_{TS_SLOPE}	Temperature sensor slope		-1.84		mV/°C

5.7 Voltage Monitor (VMON)

Table 13: Voltage Monitor (VMON)

	Parameter	Min	Type	Max	Unit
I_{VMON}	Supply current (including I_{SENSE})				
	In EM0 or EM1, 1 supply monitored, $T \leq 85^\circ\text{C}$		6.3	8	uA
	In EM0 or EM1, 4 supplies monitored, $T \leq 85^\circ\text{C}$		12.5	15	uA
	In EM2, EM3 or EM4, 1 supply monitored and above threshold		62		nA
	In EM2, EM3 or EM4, 1 supply monitored and below threshold		62		nA
	In EM2, EM3 or EM4, 4 supplies monitored and all above threshold		99		nA
	In EM2, EM3 or EM4, 4 supplies monitored and all below threshold		99		nA
I_{SENSE}	Loading of monitored supply				
	In EM0 or EM1		2		uA
	In EM2, EM3 or EM4		2		nA
V_{VMON_RANGE}	Threshold range	1.62		3.4	V
N_{VMON_STESP}	Threshold step size				
	Coarse		200		mV
	Fine		20		mV
t_{VMON_RES}	Response time (Supply drops at 1V/us rate)		460		ns

V_{VMON_HYST} -	Hysteresis	26	mV
--------------------	------------	----	----

5.8 Low-Frequency Crystal Oscillator (LFXO)

Table 14: Low-Frequency Crystal Oscillator (LFXO)

Parameter	Min	Type	Max	Unit
f_{LFXO} - Crystal frequency		32.768		kHz
ESR_{LFXO} - Supported crystal equivalent series resistance (ESR)			70	k Ω
C_{LFXO_CL} - Supported range of crystal load capacitance	6		18	pF
C_{LFXO_T} - On-chip tuning cap range (On each of LFX TAL_N and LFX TAL_P pins)	8		40	pF
SS_{LFXO} - On-chip tuning cap step size		0.25		pF
I_{LFXO} - Current consumption after startup (ESR = 70 k Ω , CL = 7 pF, GAIN = 2, AGC = 1)		273		nA
t_{LFXO} - Start-up time (ESR = 70 k Ω , CL = 7 pF, GAIN = 2)		308		ms

5.9 Wake Up Times

Table 15: Wake Up Times

Parameter	Min	Typ	Max	Unit	
Wake up time from EM1		3		AHB Clocks	
Wake up from EM2	Code execution from flash	-	13.22	-	μ S
	Code execution from RAM		5..15		μ S
Wake up from EM3	Code execution from flash	-	13.21	-	μ S
	Code execution from RAM		5.15		μ S
Wake up from EM4	Code execution from flash	-	8.81	-	mS
Entry time to EM1/2/3/4	Code execution from flash		<10		μ s
Time from release of reset source to first instruction execution					
	Soft Pin Reset released		51	μ S	
	Any other reset released		358	μ S	

5.10 Power consumptions

Table 16: Power consumptions VDD=3.3V , T = 25°C

Parameter	Test Conditions	Type	Max.	Unit
Current consumption in EM0 mode with all peripherals disabled	38.4 MHz crystal, CPU running while loop from flash	128		uA/MHz
Current consumption in EM1 mode with all peripherals disabled	38.4 MHz crystal	76		uA/MHz
Current consumption in EM2 mode, with voltage scaling enabled	Full 64 kB RAM retention and RTCC running from LFXO	1.9		uA
	Full 64 kB RAM retention and RTCC running from LFRCO	2.2		uA
Current consumption in EM3 mode, with voltage scaling enabled	Full 64 kB RAM retention and CRYOTIMER running from ULFRCO	1.53	3.0	uA
Current consumption in EM4H mode, with voltage scaling enabled	128 byte RAM retention, RTCC running from LFXO	0.93		uA
	128 byte RAM retention, CRYOTIMER running from ULFRCO	0.45		uA
	128 byte RAM retention, no RTCC	0.44	0.9	uA
Current consumption in EM4S mode	No RAM retention, no RTCC	0.04	0.085	uA

Table 17: BLE MODE Consumption Report(TBD) VDD=3.3V , T = 25°C

Parameter	Test Conditions			Unit
Beacon TX Power	-28	-	0	dBm
sleep mode	1.75	1.75	1.75	uA
100ms interval	462	1040	1430	uA
200ms interval	255.34	548.49	648.69	uA
500ms interval	100	222.12	243.55	uA
800ms interval	75.45	176.81	204.13	uA
1000ms interval	59.71	139	152.25	uA

5.11 Thermal Characteristics

Table 18: Thermal Characteristics

Parameter	Test Conditions	Type	Unit
Thermal resistance, QFN32	4-Layer PCB, Air velocity = 0 m/s	30.1	°C /W
Package	4-Layer PCB, Air velocity = 1 m/s	24.9	°C /W

6. MSL & ESD

Table 19: MSL and ESD

Parameter	Test Conditions	Value
MSL grade:	MSL 3 ⁽¹⁾	
ESD grade:	Human body model (HBM), per ANSI/ESDA/JEDEC JS001 ⁽²⁾	All pins ±2500V
		RF pins ±750V
	Charged device model (CDM), per JESD22-C101 ⁽³⁾	Non-RF pins ±750V

(1)The Moisture Sensitivity Level rating according to the JEDEC industry standard classifications, and peak solder temperature.

(2) JEDEC document JEP155 states that 500-V HBM allows safe manufacturing with a standard ESD control process.

(3) JEDEC document JEP157 states that 250-V CDM allows safe manufacturing with a standard ESD control process.

7. RECOMMENDED TEMPERATURE REFLOW PROFILE

Prior to any reflow, it is important to ensure the modules were packaged to prevent moisture absorption. New packages contain desiccant (to absorb moisture) and a humidity indicator card to display the level maintained during storage and shipment. If directed to bake units on the card, please check the Picture below and follow instructions specified by IPC/JEDEC J-STD-033.

Note: The shipping tray cannot be heated above 65°C. If baking is required at the higher temperatures displayed in the Picture below, the modules must be removed from the shipping tray.

Any modules not manufactured before exceeding their floor life should be re-packaged with fresh desiccant and a new humidity indicator card. Floor life for MSL (Moisture Sensitivity Level) 3 devices is 168 hours in ambient environment 30°C/60%RH.

Table 20: Recommended baking times and temperatures

MSL	125°C Baking Temp.		90°C/≤ 5%RH Baking Temp.		40°C/ ≤ 5%RH Baking Temp.	
	Saturated @ 30°C/85%	Floor Life Limit + 72 hours @ 30°C/60%	Saturated @ 30°C/85%	Floor Life Limit + 72 hours @ 30°C/60%	Saturated @ 30°C/85%	Floor Life Limit + 72 hours @ 30°C/60%
3	9 hours	7 hours	33 hours	23 hours	13 days	9 days

Feasycom surface mount modules are designed to be easily manufactured, including reflow soldering to a PCB. Ultimately it is the responsibility of the customer to choose the appropriate solder paste and to ensure oven temperatures during reflow meet the requirements of the solder paste. Feasycom surface mount modules conform to J-STD-020D1 standards for reflow temperatures.

The soldering profile depends on various parameters necessitating a set up for each application. The data here is given only for guidance on solder reflow.

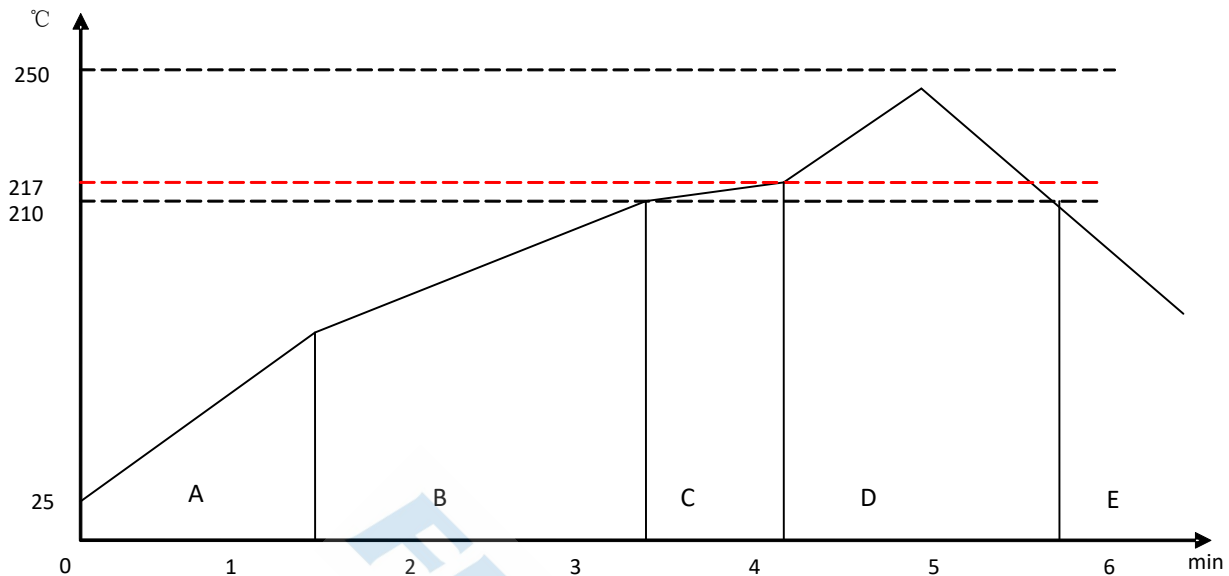


Figure 7: Typical Lead-free Re-flow

Pre-heat zone (A) — This zone raises the temperature at a controlled rate, **typically 0.5 – 2 °C/s**. The purpose of this zone is to preheat the PCB board and components to 120 ~ 150 °C. This stage is required to distribute the heat uniformly to the PCB board and completely remove solvent to reduce the heat shock to components.

Equilibrium Zone 1 (B) — In this stage the flux becomes soft and uniformly encapsulates solder particles and spread over PCB board, preventing them from being re-oxidized. Also with elevation of temperature and liquefaction of flux, each activator and rosin get activated and start eliminating oxide film formed on the surface of each solder particle and PCB board. **The temperature is recommended to be 150° to 210° for 60 to 120 second for this zone.**

Equilibrium Zone 2 (C) (optional) — In order to resolve the upright component issue, it is recommended to keep the temperature in 210 – 217 ° for about 20 to 30 second.

Reflow Zone (D) — The profile in the figure is designed for Sn/Ag3.0/Cu0.5. It can be a reference for other lead-free solder. The peak temperature should be high enough to achieve good wetting but not so high as to cause component discoloration or damage. Excessive soldering time can lead to intermetallic growth which can result in a brittle joint. The recommended peak temperature (Tp) is 230 ~ 250 °C. The soldering time should be 30 to 90 second when the temperature is above 217 °C.

Cooling Zone (E) — The cooling rate should be fast, to keep the solder grains small which will give a longer-lasting joint. **Typical cooling rate should be 4 °C.**

8. MECHANICAL DETAILS

8.1 Mechanical Details

- Dimension: 16.5mm(W) x 13mm(L) x 2.3mm(H) Tolerance: ±0.2mm
- Module size: 16.5mm X 13mm Tolerance: ±0.2mm
- Pad size: 0.9mmX0.9mm Tolerance: ±0.1mm
- Pad pitch: 1.27mm Tolerance: ±0.1mm

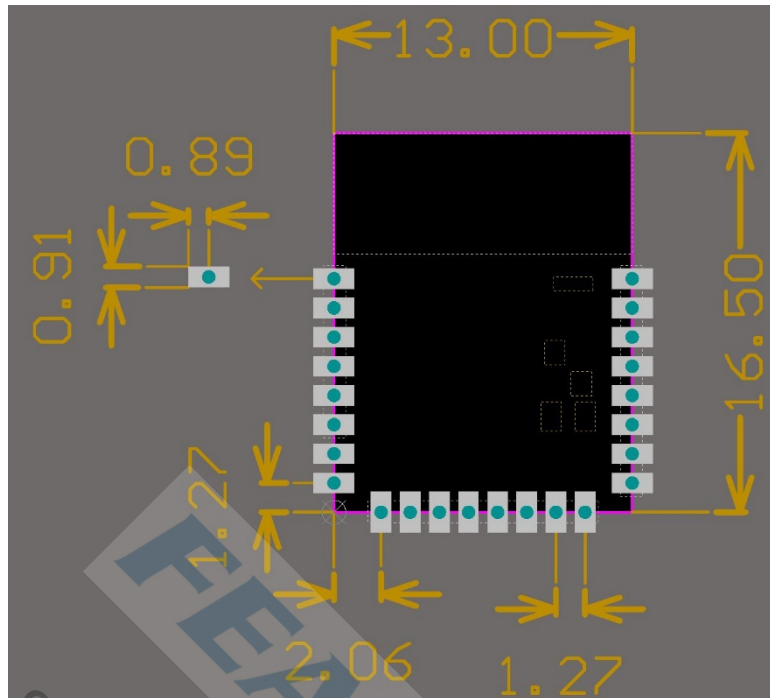


Figure 8: FSC-BT677B footprint

9. HARDWARE INTEGRATION SUGGESTIONS

9.1 Soldering Recommendations

FSC-BT677B is compatible with industrial standard reflow profile for Pb-free solders. The reflow profile used is dependent on the thermal mass of the entire populated PCB, heat transfer efficiency of the oven and particular type of solder paste used. Consult the datasheet of particular solder paste for profile configurations.

Feasycom will give following recommendations for soldering the module to ensure reliable solder joint and operation of the module after soldering. Since the profile used is process and layout dependent, the optimum profile should be studied case by case. Thus following recommendation should be taken as a starting point guide.

9.2 Layout Guidelines(Internal Antenna)

It is strongly recommended to use good layout practices to ensure proper operation of the module. Placing copper or any metal near antenna deteriorates its operation by having effect on the matching properties. Metal shield around the antenna will prevent the radiation and thus metal case should not be used with the module. Use grounding vias separated max 3 mm apart at the edge of grounding areas to prevent RF penetrating inside the PCB and causing an unintentional resonator. Use GND vias all around the PCB edges.

The mother board should have no bare conductors or vias in this restricted area, because it is not covered by stop mask print. Also no copper (planes, traces or vias) are allowed in this area, because of mismatching the on-board antenna.

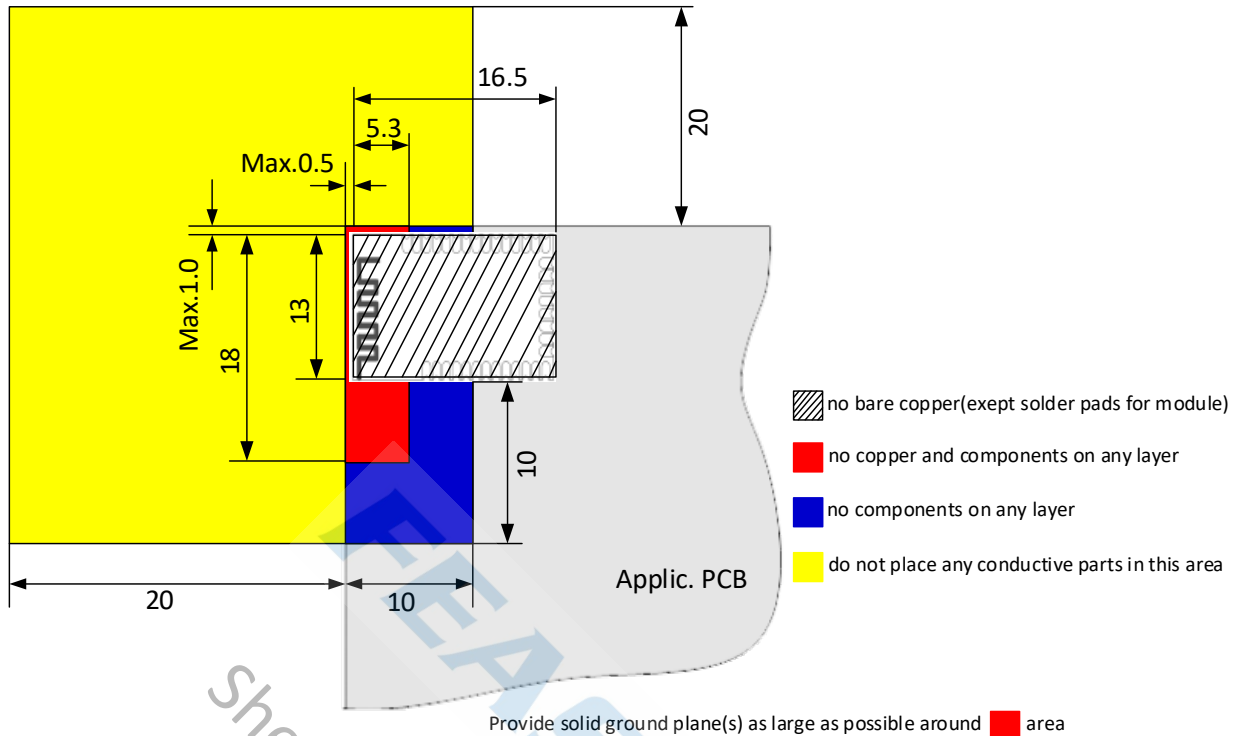


Figure 9: FSC-BT677B Restricted Area

Following recommendations helps to avoid EMC problems arising in the design. Note that each design is unique and the following list do not consider all basic design rules such as avoiding capacitive coupling between signal lines. Following list is aimed to avoid EMC problems caused by RF part of the module. Use good consideration to avoid problems arising from digital signals in the design.

Ensure that signal lines have return paths as short as possible. For example if a signal goes to an inner layer through a via, always use ground vias around it. Locate them tightly and symmetrically around the signal vias. Routing of any sensitive signals should be done in the inner layers of the PCB. Sensitive traces should have a ground area above and under the line. If this is not possible, make sure that the return path is short by other means (for example using a ground line next to the signal line).

9.3 Layout Guidelines(External Antenna)

Placement and PCB layout are critical to optimize the performances of a module without on-board antenna designs. The trace from the antenna port of the module to an external antenna should be 50Ω and must be as short as possible to avoid any interference into the transceiver of the module. The location of the external antenna and RF-IN port of the module should be kept away from any noise sources and digital traces. A matching network might be needed in between the external antenna and RF-IN port to better match the impedance to minimize the return loss.

As indicated in picture below, RF critical circuits of the module should be clearly separated from any digital circuits on the system board. All RF circuits in the module are close to the antenna port. The module, then, should be placed in this way that module digital part towards your digital section of the system PCB.

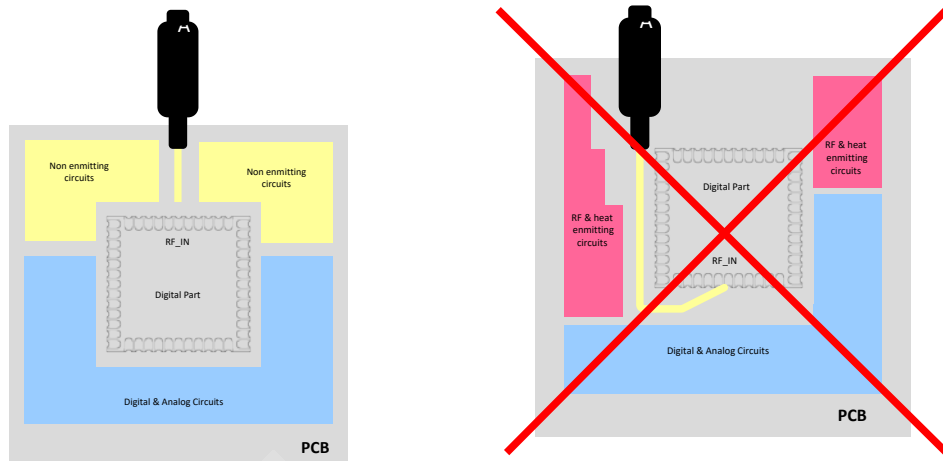


Figure 10: Placement the Module on a System Board

9.3.1 Antenna Connection and Grounding Plane Design

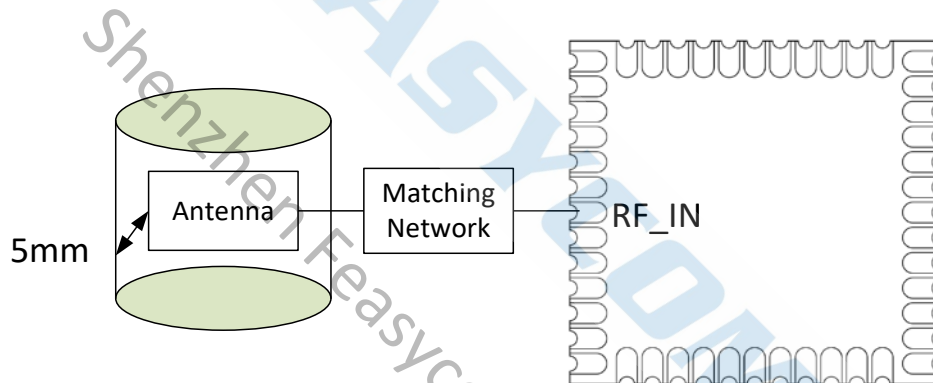


Figure 11: Leave 5mm Clearance Space from the Antenna

General design recommendations are:

- The length of the trace or connection line should be kept as short as possible.
- Distance between connection and ground area on the top layer should at least be as large as the dielectric thickness.
- Routing the RF close to digital sections of the system board should be avoided.
- To reduce signal reflections, sharp angles in the routing of the micro strip line should be avoided. Chamfers or fillets are preferred for rectangular routing; 45-degree routing is preferred over Manhattan style 90-degree routing.

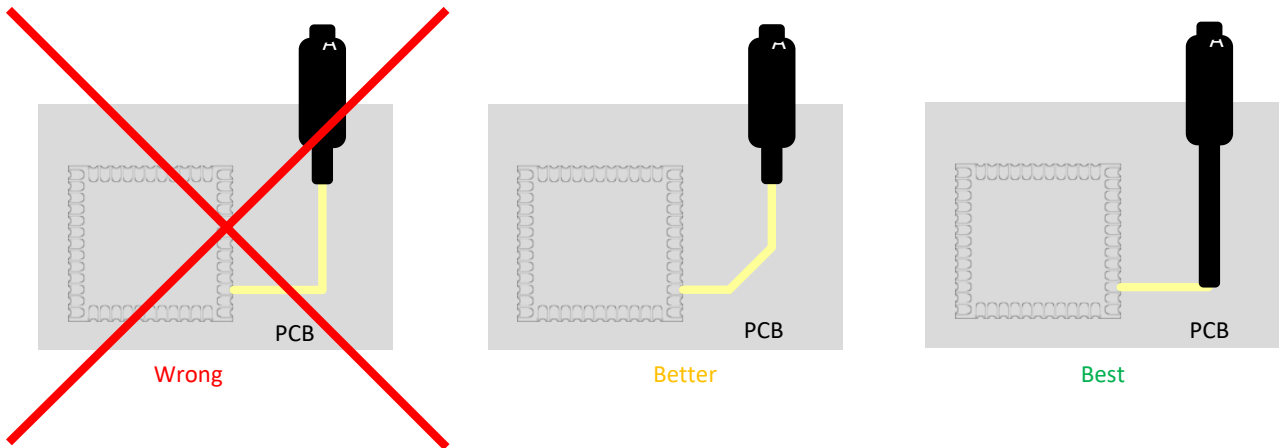


Figure 12: Recommended Trace Connects Antenna and the Module

- Routing of the RF-connection underneath the module should be avoided. The distance of the micro strip line to the ground plane on the bottom side of the receiver is very small and has huge tolerances. Therefore, the impedance of this part of the trace cannot be controlled.
- Use as many vias as possible to connect the ground planes.

10. PRODUCT PACKAGING INFORMATION

10.1 Default Packing

- Tray vacuum
- Tray Dimension:185.4*238mm

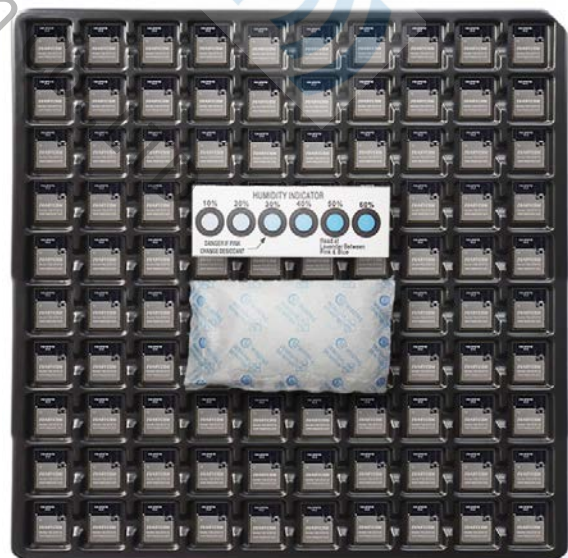
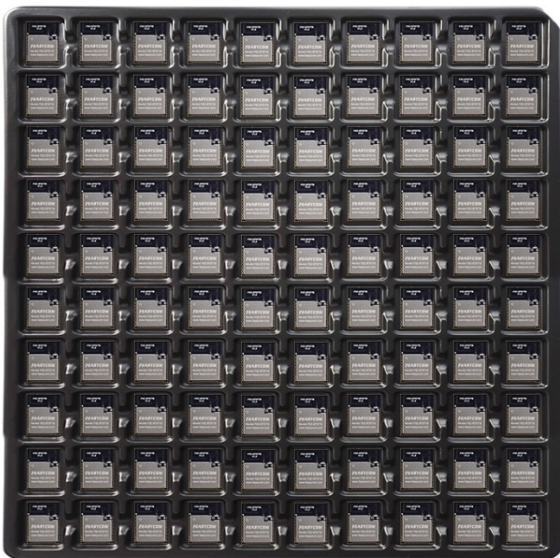
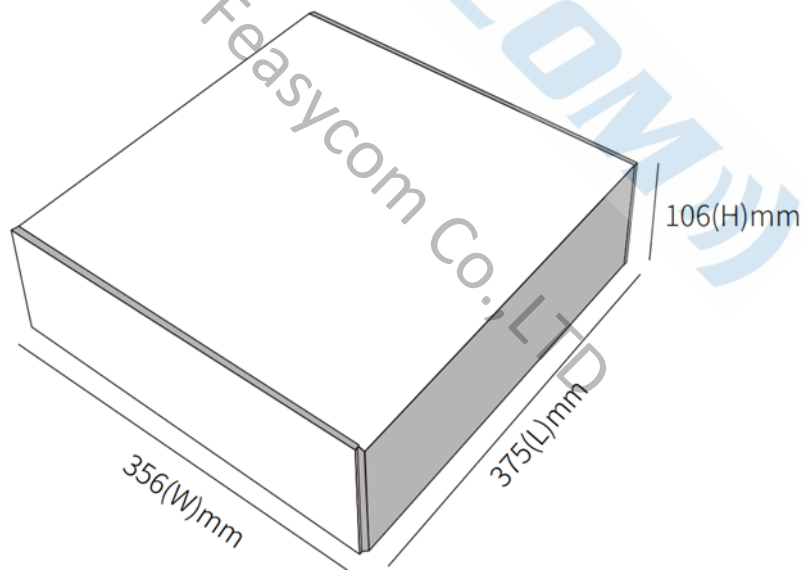




Figure 13: Tray vacuum

10.2 Packing box(Optional)



* If require any other packing, must be confirmed with customer

* Package: 1000PCS Per Carton (Min Carton Package)

* The outer packing size is for reference only, please refer to the actual size

Figure 14: Packing Box

11. APPLICATION SCHEMATIC

